

4

3

2

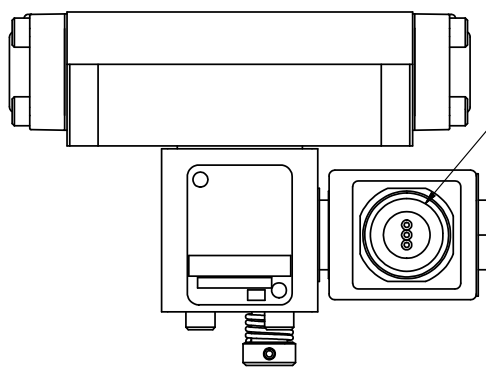
1

B

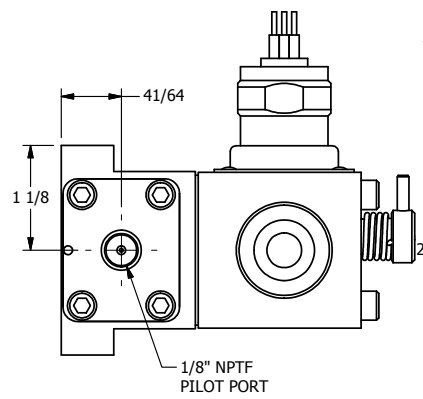
B

A

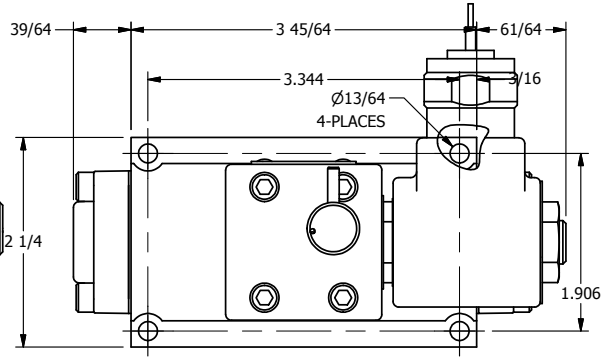
A



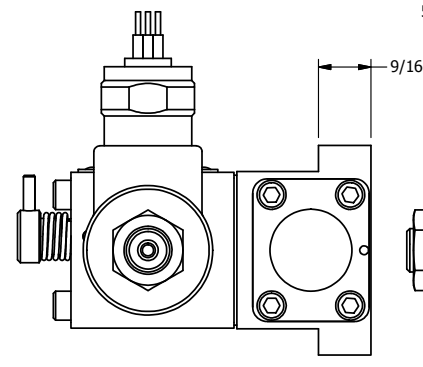
1/2" NPT CONDUIT CONNECTION



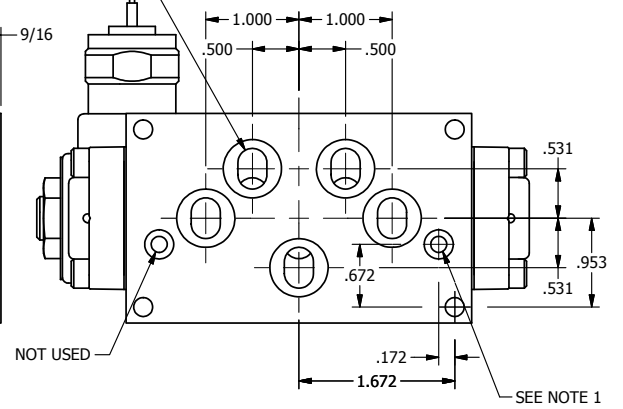
1/8" NPTF PILOT PORT



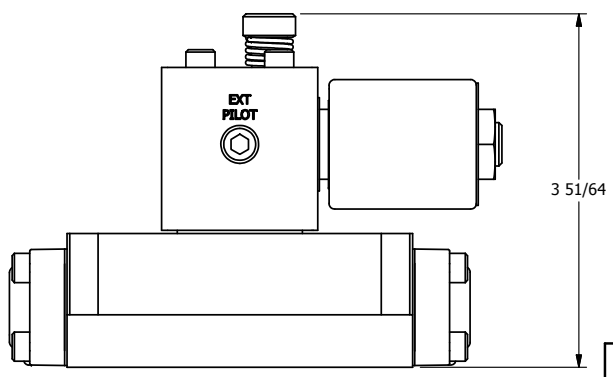
Ø13/64  
4-PLACES



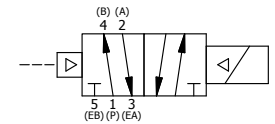
PORTS  
5-PLACES



SEE NOTE 1



NOTES:  
1) REMOTE PILOT CAN BE ROUTED THROUGH SUBPLATE CONNECTION.



**AAA**  
PRODUCTS  
INTERNATIONAL  
7114 Harry Hines Blvd  
Dallas, TX 75235

TITLE 3/8" SUBPLATE, SNGL SOL, 2 POS,  
FRICTION POS, PILOT RTRN,  
MOLD-OVER, NON-LCKNG OVRD

DRAWING NO.:  
DIM\_SR3PMON

4

3

2

1

B

B

A

A

THE INFORMATION CONTAINED WITHIN THIS DOCUMENT IS PROPRIETARY TO AAA PRODUCTS AND MAY NOT BE DISCLOSED WITHOUT PRIOR WRITTEN CONSENT