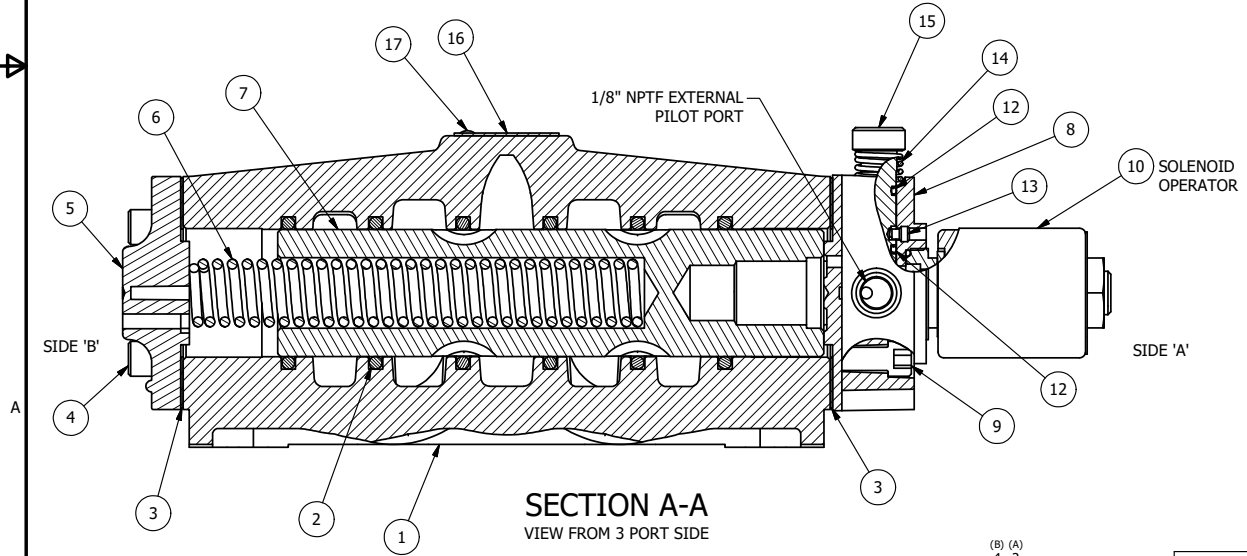


POSITION GASKET ON END OF VALVE SO GASKET COVERS PILOT HOLE, SIDE 'B' ONLY

POSITION GASKET TO SEAL PILOT HOLE, BOTH SIDES. THE ROUND ALUMINUM ADAPTOR IS ROTATED 90 DEGREES. SUPPLY 50-160 PSI TO 1/8" NPTF PILOT PORT IN ADAPTOR.

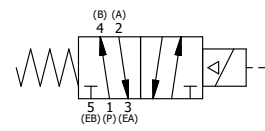
NOTES:  
 1) ALWAYS GIVE VALVE MODEL AND PART NUMBER WHEN ORDERING PARTS.  
 2) FOR DIFFERENT VOLTAGES OTHER THAN 120/60, REPLACE SOLENOID OPERATOR WITH OPERATOR LISTED IN TABLE BELOW. REFERENCE AY-38M DRAWING FOR REPLACEMENT COILS.



|     |     |           |  |
|-----|-----|-----------|--|
| 17  | 2   | V-212     | SCREW, #2 X 3/16 DRIVE, TYPE U, OVAL HEAD, STAINLESS STEEL                   |
| 16  | 1   | AN-114    | NAMEPLATE, BLANK, FOR VALVES WITH SPRINGS OR DETENTS                         |
| 15  | 1   | OP4-W     | VERRIDE PIN, SPRING RETURN, 1/2", 3/4" & 1" VALVE                            |
| 14  | 1   | OS3W      | SPRING - OVERRIDE RETURN, "CLASSIC" SOLENOID                                 |
| 13  | 1   | V-81      | SCREW, 8-32 X 5/16, SOCKET SET, FULL DOG POINT                               |
| 12  | 2   | V-85      | O-RING, BUNA-N, 70 DURO, AS-010, (REF 1/4 X 3/8 X 1/16), CLASSIC OVRD        |
| 10  | 1   | AY-38M-11 | CLASSIC SOLENOID - 1/2" NPT CONDUIT, 120/60                                  |
| 9   | 4   | V-47      | SCREW, 1/4-20 X 1, SOCKET HEAD CAP   |
| 8   | 1   | SSA48-OW  | ADAPTOR, 'A' SIDE, CLASSIC SOL., NON-LOCKING OVERRIDE, 1/2", 3/4" & 1" VALVE |
| 7   | 1   | S8        | SPOOL - STANDARD, 2 POS, CLSD CTR, 3/4" & 1" VALVE                           |
| 6   | 1   | CS8       | SPRING - RETURN, 3/4" & 1" VALVES  |
| 5   | 1   | PEC48-3   | END CAP, VENTED, 380 AL, 1/2", 3/4" & 1" VALVES                              |
| 4   | 4   | V-46      | SCREW, 1/4-20 X 3/4, SOCKET HEAD CAP   |
| 3   | 2   | ECG48     | GASKET - END CAP, 1/2", 3/4" & 1" VALVE                                      |
| 2   | 6   | V-30      | O-RING, BUNA-N, 70 DURO, AS-220, (REF 1-3/8 X 1-5/8 X 1/8), 3/4" & 1" VALVES |
| 1   | 1   | B8-1      | BODY, 1" SIDE PORT, UPPER PILOTS, ANODIZED                                   |
| FLG | QTY | PART NO   | DESCRIPTION  |

|   |  |  |           |  |
|---|--|--|-----------|--|
| LIMITS ON DIMENSIONS UNLESS OTHERWISE SPECIFIED   |  | 2-PL DECIMAL ± .01<br>3-PL DECIMAL ± .005<br>FRACTIONAL ± 1/64<br>ANGULAR ± 1/2° |           | <b>AAA PRODUCTS INTERNATIONAL</b><br>7114 Harry Hines Blvd<br>Dallas, TX 75235 |
| DRAWN: RMckenna   |  | DATE: 1/18/2020  |           |  |
| SCALE: 3/4  |  | SHEET: 1 OF 1  |           | CHECKED: KWaite    DATE: 1/18/2020<br>RELEASED: HWomack    DATE: 1/18/2020     |
| TITLE:<br><b>1" SIDE PORT, SNGL SOL, 2 POS, SPRING RTRN, MOLD-OVER, 120/60, NON-LCKNG OVRD, EXT PILOT</b> |  |  | PART NO.: | REV.:  |
|   |  |  | SO8MONZ   |  |

| OPERATOR VOLTAGES |                  |
|-------------------|------------------|
| PART NO           | REPLACE OPERATOR |
| SO8MONZ 12VDC     | AY-38M-5         |
| SO8MONZ 24VDC     | AY-38M-8         |
| SO8MONZ 240/60    | AY-38M-17        |



THE INFORMATION CONTAINED WITHIN THIS DOCUMENT IS PROPRIETARY TO AAA PRODUCTS AND MAY NOT BE DISCLOSED WITHOUT PRIOR WRITTEN CONSENT

P:\Engineering\Product Valve Assembly\Classic\SO8MONZ\SO8MONZ.dwg