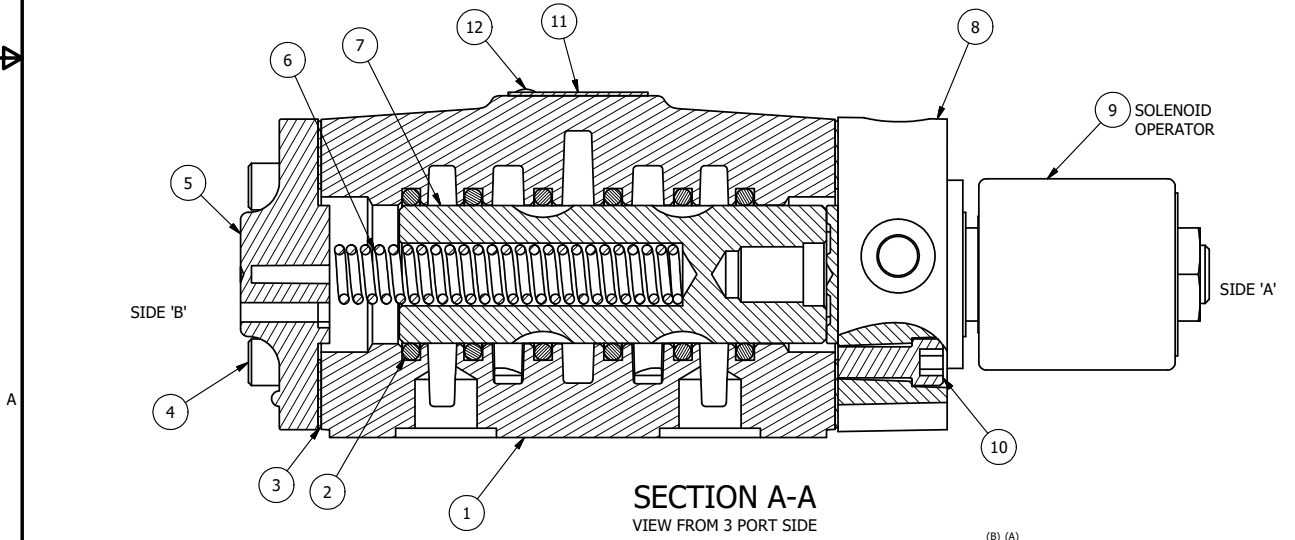


POSITION GASKET TO SEAL PILOT HOLE SIDE 'B' ONLY.

POSITION GASKET TO SEAL PILOT HOLE, BOTH SIDES. THE ROUND ALUMINUM ADAPTOR IS ROTATED 90 DEGREES. SUPPLY 50-160 PSI TO 1/8" NPTF PILOT PORT IN ADAPTOR.

- NOTES:
 1) ALWAYS GIVE VALVE MODEL AND PART NUMBER WHEN ORDERING PARTS.
 2) FOR DIFFERENT VOLTAGES OTHER THAN 120/60, REPLACE SOLENOID OPERATOR WITH OPERATOR LISTED IN TABLE BELOW. REFERENCE AY-38ED DRAWING FOR REPLACEMENT COILS.



SECTION A-A
VIEW FROM 3 PORT SIDE

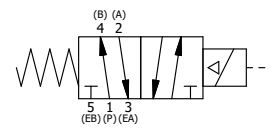
| | | | |
|-----|-----|------------|--|
| 13 | 1 | SPK-4 | KIT - SUBPLATE MOUNT, 1/2" SUBPLATE VALVES |
| 12 | 2 | V-212 | SCREW, #2 X 3/16 DRIVE, TYPE U, OVAL HEAD, STAINLESS STEEL |
| 11 | 1 | AN-114 | NAMEPLATE, BLANK, FOR VALVES WITH SPRINGS OR DETENTS |
| 10 | 4 | V-47 | SCREW, 1/4-20 X 1, SOCKET HEAD CAP |
| 9 | 1 | AY-38ED-11 | CLASSIC SOLENOID - ISO 4400 DIN, 120/60 |
| 8 | 1 | SSA48 | ADAPTOR, SOLENOID, 1/2", 3/4" & 1" VALVE |
| 7 | 1 | S4 | SPOOL - STANDARD, 2 POS, CLSD CTR, 1/2" VALVE |
| 6 | 1 | CS4 | SPRING - RETURN, 1/2" VALVES |
| 5 | 1 | PEC48-3 | END CAP, VENTED, 380 AL, 1/2", 3/4" & 1" VALVES |
| 4 | 4 | V-46 | SCREW, 1/4-20 X 3/4, SOCKET HEAD CAP |
| 3 | 2 | ECG48 | GASKET - END CAP, 1/2", 3/4" & 1" VALVE |
| 2 | 6 | V-6 | O-RING, BUNA-N, 70 DURO, AS-216, (REF 1-1/8 X 1-3/8 X 1/8), 1/2" VALVES, 1" SUBPLATE |
| 1 | 1 | BP4-1 | BODY, 1/2" SUBPLATE, UPPER PILOTS, ANODIZED |
| FLG | QTY | PART NO | DESCRIPTION |

LIMITS ON DIMENSIONS
 UNLESS OTHERWISE SPECIFIED
 2-PL DECIMAL ± .01
 3-PL DECIMAL ± .005
 FRACTIONAL ± 1/64
 ANGULAR ± 1/2°

AAA PRODUCTS INTERNATIONAL
 PRODUCTS INTERNATIONAL
 7114 Harry Hines Blvd
 Dallas, TX 75235

DRAWN: RMckenna DATE: 12/19/2015 CHECKED: KWaite DATE: 12/19/2015
 SCALE: 1 : 1 SHEET: 1 OF 1 RELEASED: HWomack DATE: 12/19/2015

| OPERATOR VOLTAGES | |
|-------------------|------------------|
| PART NO | REPLACE OPERATOR |
| S04PEDZ 240/60 | AY-38ED-17 |
| S04PEDZ 24VDC | AY-38ED-8 |
| S04PEDZ 12VDC | AY-38ED-5 |



TITLE:
**1/2" SUBPLATE, SNGL SOL, 2 POS.,
 SPRING RTRN, ISO 4400 DIN, 120/60,
 EXT PILOT**

PART NO.:
S04PEDZ

REV.:

THE INFORMATION CONTAINED WITHIN THIS DOCUMENT IS PROPRIETARY TO AAA PRODUCTS AND MAY NOT BE DISCLOSED WITHOUT PRIOR WRITTEN CONSENT

P:\Engineering\product\Valve Assembly\Classic\SO4PEDZ\SO4PEDZ.dwg