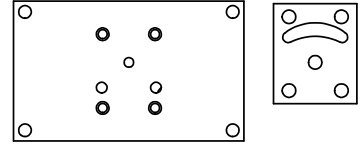
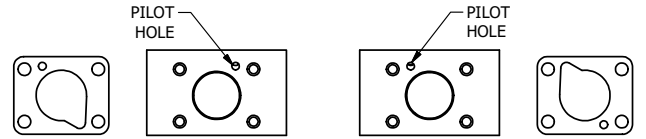


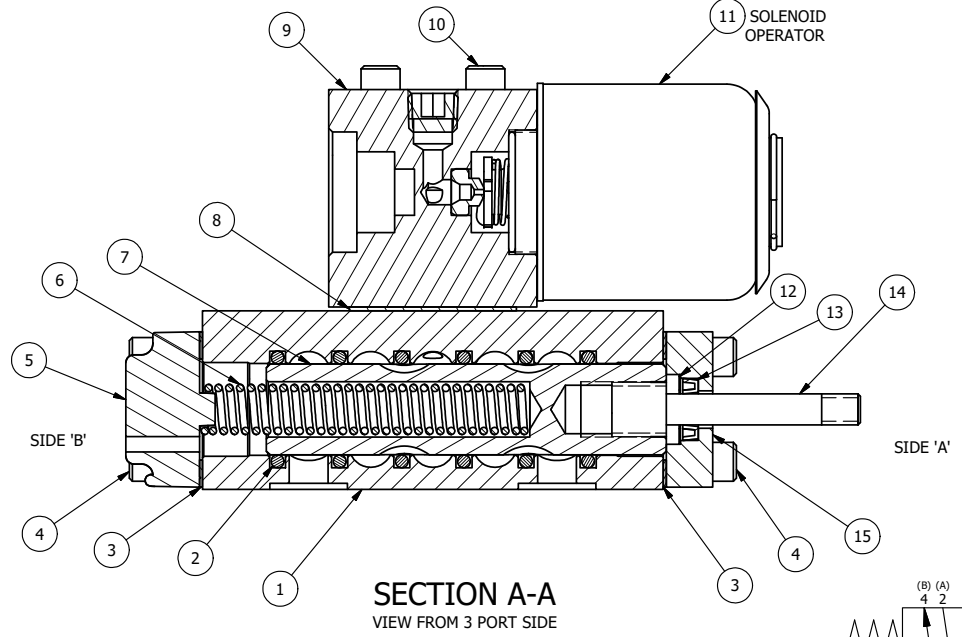
NOTES:
 1) ALWAYS GIVE VALVE MODEL AND PART NUMBER WHEN ORDERING PARTS.
 2) FOR DIFFERENT VOLTAGES OTHER THAN 120/60, REPLACE SOLENOID OPERATOR WITH OPERATOR LISTED IN TABLE BELOW.



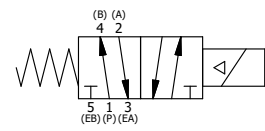
ALIGN HOLES IN GASKET AS SHOWN.
 FOR EXTERNAL PILOT PRESSURE, REMOVE PIGGY BACK BLOCK AND ROTATE 180°. LEAVE GASKET AS SHOWN. REMOVE 1/8" PLUG AND CONNECT SUPPLY PRESSURE - 160 PSI MAX.



POSITION GASKET TO SEAL PILOT HOLE ON SIDE 'B' AS SHOWN. ALIGN PILOT HOLE AND CENTER CUTOUT ON SIDE 'A' AS SHOWN.



SECTION A-A
 VIEW FROM 3 PORT SIDE



| OPERATOR VOLTAGES | |
|-------------------|------------------|
| PART NO | REPLACE OPERATOR |
| SO3PXK 240/60 | AY-38X-17 |
| SO3PXK 24VDC | AY-38X-8 |
| SO3PXK 12VDC | AY-38X-5 |

| | | | |
|-----|-----|-----------|---|
| 19 | 1 | SPK-3 | KIT - SUBPLATE MOUNTING, 3/8" SUBPLATE VALVES |
| 18 | 2 | V-212 | SCREW, #2 X 3/16 DRIVE, TYPE U, OVAL HEAD, STAINLESS STEEL |
| 17 | 1 | AN-114 | NAMEPLATE, BLANK, FOR VALVES WITH SPRINGS OR DETENTS |
| 16 | 1 | V-19 | PLUG, SOCKET PIPE 1/8" NPT, 7/8 TAPER, FLUSH SEAL |
| 15 | 1 | PEC3-5 | END CAP, INDICATOR PIN, WIPER CAVITY, 6061-T6, 1/4" & 3/8" VALVE |
| 14 | 1 | PIK3 | PIN, SPOOL OVERRIDE, 303 STAINLESS, 1/4" & 3/8" VALVES |
| 13 | 1 | V-78 | U-CUP, 1/2 X 1/4 X 1/8, NITRILE |
| 12 | 1 | V-119 | RING, CIRCULAR PUSH ON TYPE FOR INDICATOR PIN |
| 11 | 1 | AY-38X-11 | CLASSIC SOLENOID - EXPLOSION PROOF, 120/60VAC, 38.5VDC, 110/50VAC |
| 10 | 4 | V-1 | SCREW, 10-24 X 2, SOCKET HEAD CAP |
| 9 | 1 | PB3-1E | ADAPTOR - SINGLE SOLENOID, 1/4" & 3/8" VALVES |
| 8 | 1 | PBG3-1 | GASKET - PIGGY BACK, SINGLE SOLENOID, 1/4" & 3/8" VALVE |
| 7 | 1 | S3 | SPOOL - STANDARD, 2 POS, CLSD CTR, 1/4" & 3/8" VALVE |
| 6 | 1 | CS3 | SPRING - RETURN, (EXCEPT HO, KO & PO) 1/4" & 3/8" VALVES |
| 5 | 1 | SEC3-A | END CAP, VENTED, SPRING BOSS, 380 AL, 1/4" & 3/8" VALVE |
| 4 | 8 | V-38 | SCREW, 10-24 X 3/4, SOCKET HEAD CAP |
| 3 | 2 | ECG3 | GASKET - END CAP, 1/4" & 3/8" VALVE |
| 2 | 6 | V-39 | O-RING, VITON, STD BODY, 1/4" & 3/8" VALVES |
| 1 | 1 | BP3-6E | BODY - SOLID, PIGGY BACK, ANODIZED, 3/8" SUBPLATE VALVE |
| FLG | QTY | PART NO | DESCRIPTION |

LIMITS ON DIMENSIONS
 UNLESS OTHERWISE SPECIFIED
 2-PL DECIMAL ± .01
 3-PL DECIMAL ± .005
 FRACTIONAL ± 1/64
 ANGULAR ± 1/2°



DRAWN: RMckenna DATE: 3/14/2016 CHECKED: KWaite DATE: 3/14/2016
 SCALE: 1 : 1 SHEET: 1 OF 1 RELEASED: HWomack DATE: 3/14/2016

| | | |
|---|---------------------|-------|
| TITLE: 3/8" SUBPLATE, SNGL SOL, 2 POS, SPRING RTRN, EXPL PROOF, 120/60, THREADED INDICATOR PIN | PART NO.: SO3PXK | REV.: |
|---|---------------------|-------|

THE INFORMATION CONTAINED WITHIN THIS DOCUMENT IS PROPRIETARY TO AAA PRODUCTS AND MAY NOT BE DISCLOSED WITHOUT PRIOR WRITTEN CONSENT

P:\Engineering\Products\Valves\Assembly\classics\SO3PXK.dwg (SO3PXK.dwg)