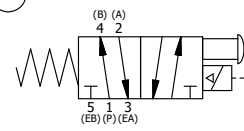
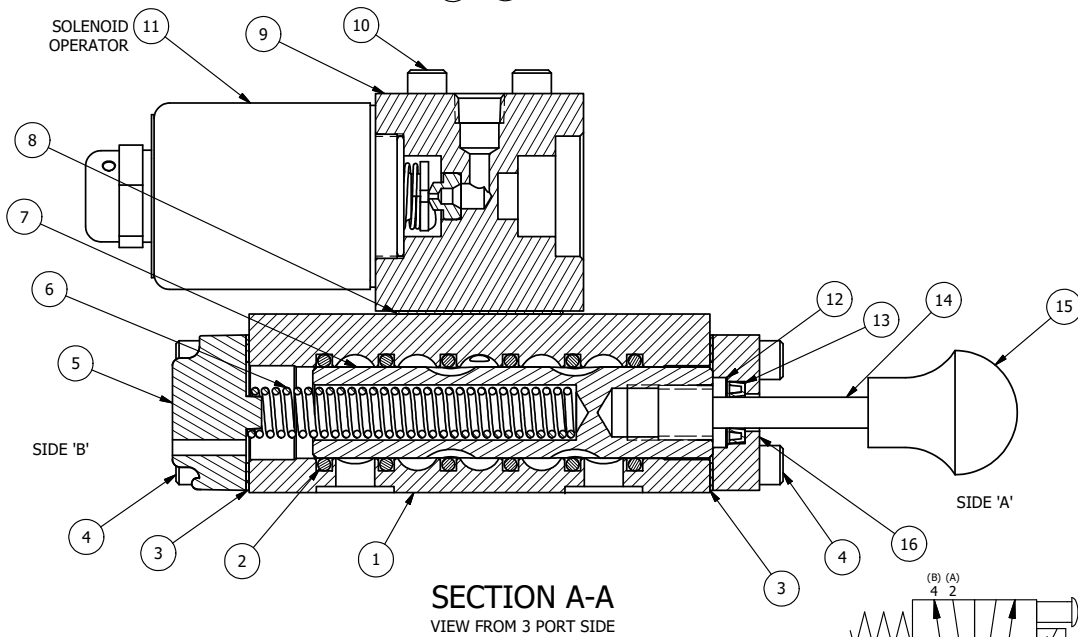
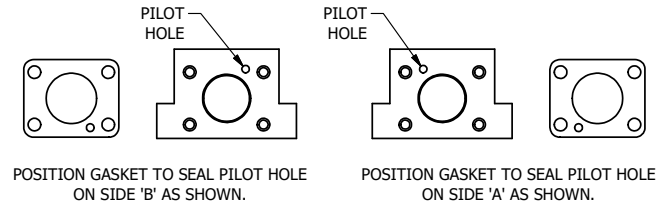
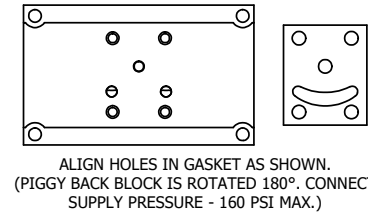


NOTES:  
 1) ALWAYS GIVE VALVE MODEL AND PART NUMBER WHEN ORDERING PARTS.  
 2) FOR DIFFERENT VOLTAGES OTHER THAN 120/60, REPLACE SOLENOID OPERATOR WITH OPERATOR LISTED IN TABLE BELOW. REFERENCE AY-38L DRAWING FOR REPLACEMENT COILS.



|     |     |           |  |
|-----|-----|-----------|--|
| 18  | 2   | V-212     | SCREW, #2 X 3/16 DRIVE, TYPE U, OVAL HEAD, STAINLESS STEEL       |
| 17  | 1   | AN-114    | NAMEPLATE, BLANK, FOR VALVES WITH SPRINGS OR DETENTS             |
| 16  | 1   | PEC3-5    | END CAP, INDICATOR PIN, WIPER CAVITY, 6061-T6, 1/4" & 3/8" VALVE |
| 15  | 1   | V-570     | KNOB, BLACK (BRASS 1/4-20 INSERT), OS OPTION                     |
| 14  | 1   | PIK3      | PIN, SPOOL OVERRIDE, 303 STAINLESS, 1/4" & 3/8" VALVES           |
| 13  | 1   | V-78      | U-CUP, 1/2 X 1/4 X 1/8, NITRILE                                  |
| 12  | 1   | V-119     | RING, CIRCULAR PUSH ON TYPE FOR INDICATOR PIN                    |
| 11  | 1   | AY-38L-11 | CLASSIC SOLENOID, 120/60, W/DUST EXCLUDER                        |
| 10  | 4   | V-1       | SCREW, 10-24 X 2, SOCKET HEAD CAP                                |
| 9   | 1   | PB3-1E    | ADAPTOR - SINGLE SOLENOID, 1/4" & 3/8" VALVES                    |
| 8   | 1   | PBG3-1    | GASKET - PIGGY BACK, SINGLE SOLENOID, 1/4" & 3/8" VALVE          |
| 7   | 1   | S3        | SPOOL - STANDARD, 2 POS, CLSD CTR, 1/4" & 3/8" VALVE             |
| 6   | 1   | CS3       | SPRING - RETURN, (EXCEPT HO, KO & PO) 1/4" & 3/8" VALVES         |
| 5   | 1   | SEC3-A    | END CAP, VENTED, SPRING BOSS, 380 AL, 1/4" & 3/8" VALVE          |
| 4   | 8   | V-38      | SCREW, 10-24 X 3/4, SOCKET HEAD CAP                              |
| 3   | 2   | ECG3      | GASKET - END CAP, 1/4" & 3/8" VALVE                              |
| 2   | 6   | V-39      | O-RING, VITON, STD BODY, 1/4" & 3/8" VALVES                      |
| 1   | 1   | BP3-6E    | BODY - SOLID, PIGGY BACK, ANODIZED, 3/8" SUBPLATE VALVE          |
| FLG | QTY | PART NO   | DESCRIPTION  |

| OPERATOR VOLTAGES |                  |
|-------------------|------------------|
| PART NO           | REPLACE OPERATOR |
| SO3PLOSZ 12VDC    | AY-38L-5         |
| SO3PLOSZ 24VDC    | AY-38L-8         |
| SO3PLOSZ 240/60   | AY-38L-17        |

|   |                |  |                       |   |
|---|----------------|--|-----------------------|---|
| LIMITS ON DIMENSIONS<br>UNLESS OTHERWISE SPECIFIED  |                | 2-PL DECIMAL ± .01<br>3-PL DECIMAL ± .005<br>FRACTIONAL ± 1/64<br>ANGULAR ± 1/2° |                       | <p><b>AAA PRODUCTS INTERNATIONAL</b><br/>         7114 Harry Hines Blvd<br/>         Dallas, TX 75235</p> |
| DRAWN: RMckenna   | DATE: 1/3/2020 | CHECKED: KWaite  | DATE: 1/3/2020        |   |
| SCALE: 1 : 1  | SHEET: 1 OF 1  | RELEASED: HWomack  | DATE: 1/3/2020        |   |
| TITLE:<br>3/8" SUBPLATE, SNGL SOL, 2 POS,<br>SPRING RTRN, CLASSIC SOL, 120/60,<br>DUST EXLDR, MAN SPL OVRD, EXT PLT |                |  | PART NO.:<br>SO3PLOSZ | REV.:   |

THE INFORMATION CONTAINED WITHIN THIS DOCUMENT IS PROPRIETARY TO AAA PRODUCTS AND MAY NOT BE DISCLOSED WITHOUT PRIOR WRITTEN CONSENT