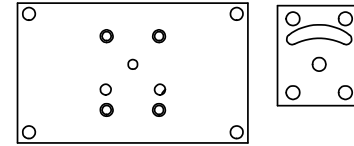
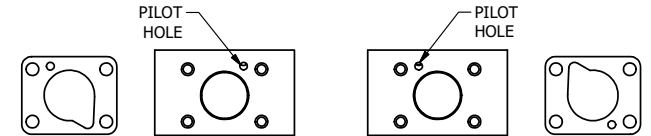


NOTES:  
 1) ALWAYS GIVE VALVE MODEL AND PART NUMBER WHEN ORDERING PARTS.  
 2) FOR DIFFERENT VOLTAGES OTHER THAN 120/60, REPLACE SOLENOID OPERATOR WITH OPERATOR LISTED IN TABLE BELOW. REFERENCE AY-38EDT DRAWING FOR REPLACEMENT COILS.

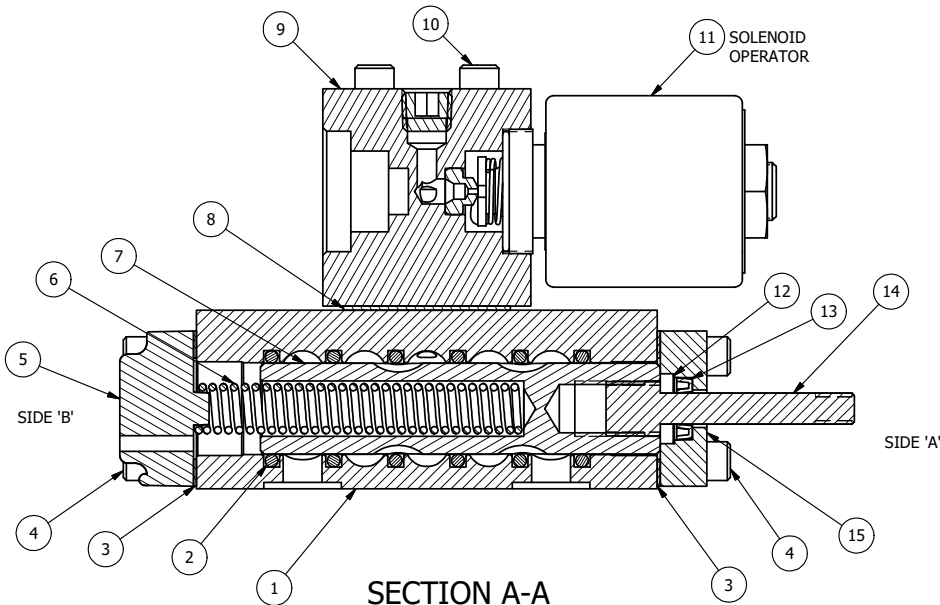


ALIGN HOLES IN GASKET AS SHOWN.  
 FOR EXTERNAL PILOT PRESSURE, REMOVE PIGGY BACK BLOCK AND ROTATE 180°. LEAVE GASKET AS SHOWN. REMOVE 1/8" PLUG AND CONNECT SUPPLY PRESSURE - 160 PSI MAX.

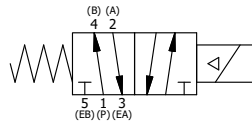


POSITION GASKET TO SEAL PILOT HOLE ON SIDE 'B' AS SHOWN.

ALIGN PILOT HOLE AND CENTER CUTOUT ON SIDE 'A' AS SHOWN.



SECTION A-A  
 VIEW FROM 3 PORT SIDE



| OPERATOR VOLTAGES |                  |
|-------------------|------------------|
| PART NO           | REPLACE OPERATOR |
| SO3PEDTK 12VDC    | AY-38EDT-5       |
| SO3PEDTK 24VDC    | AY-38EDT-8       |
| SO3PEDTK 240/60   | AY-38EDT-17      |

|     |     |             |  |
|-----|-----|-------------|--|
| 19  | 1   | SPK-3       | KIT - SUBPLATE MOUNTING, 3/8" SUBPLATE VALVES                    |
| 18  | 2   | V-212       | SCREW, #2 X 3/16 DRIVE, TYPE U, OVAL HEAD, STAINLESS STEEL       |
| 17  | 1   | AN-114      | NAMEPLATE, BLANK, FOR VALVES WITH SPRINGS OR DETENTS             |
| 16  | 1   | V-19        | PLUG, SOCKET PIPE 1/8" NPT (#601-3 PITTSBURG PLUG PART #.)       |
| 15  | 1   | PEC3-5      | END CAP, INDICATOR PIN, WIPER CAVITY, 6061-T6, 1/4" & 3/8" VALVE |
| 14  | 1   | PIK3        | PIN, SPOOL OVERRIDE, 303 STAINLESS, 1/4" & 3/8" VALVES           |
| 13  | 1   | V-78        | U-CUP, 1/2 X 1/4 X 1/8, NITRILE                                  |
| 12  | 1   | V-119       | RING, CIRCULAR PUSH ON TYPE FOR INDICATOR PIN                    |
| 11  | 1   | AY-38EDT-11 | CLASSIC SOLENOID - ISO 4400 DIN, 1/8" NPTF SOL EXHST, 120/60     |
| 10  | 4   | V-1         | SCREW, 10-24 X 2, SOCKET HEAD CAP                                |
| 9   | 1   | PB3-1E      | ADAPTOR - SINGLE SOLENOID, 1/4" & 3/8" VALVES                    |
| 8   | 1   | PBG3-1      | GASKET - PIGGY BACK, SINGLE SOLENOID, 1/4" & 3/8" VALVE          |
| 7   | 1   | S3          | SPOOL - STANDARD, 2 POS, CLSD CTR, 1/4" & 3/8" VALVE             |
| 6   | 1   | CS3         | SPRING - RETURN, (EXCEPT HO, KO & PO) 1/4" & 3/8" VALVES         |
| 5   | 1   | SEC3-A      | END CAP, VENTED, SPRING BOSS, 380 AL, 1/4" & 3/8" VALVE          |
| 4   | 8   | V-38        | SCREW, 10-24 X 3/4, SOCKET HEAD CAP                              |
| 3   | 2   | ECG3        | GASKET - END CAP, 1/4" & 3/8" VALVE                              |
| 2   | 6   | V-39        | O-RING, VITON, STD BODY, 1/4" & 3/8" VALVES                      |
| 1   | 1   | BP3-6E      | BODY - SOLID, PIGGY BACK, ANODIZED, 3/8" SUBPLATE VALVE          |
| FLG | QTY | PART NO     | DESCRIPTION  |

LIMITS ON DIMENSIONS  
 UNLESS OTHERWISE SPECIFIED  
 2-PL DECIMAL ± .01  
 3-PL DECIMAL ± .005  
 FRACTIONAL ± 1/64  
 ANGULAR ± 1/2°



DRAWN: RMckenna DATE: 1/26/2020 CHECKED: KWaite DATE: 1/26/2020  
 SCALE: 1 : 1 SHEET: 1 OF 1 RELEASED: HWomack DATE: 1/26/2020

|   |                              |       |
|---|------------------------------|-------|
| TITLE:<br><b>3/8" SUBPLATE, SNGL SOL, 2 POS,<br/>SPRING RTRN, ISO 4400 DIN, 120/60,<br/>TAPD VENT, INDCTR PIN</b> | PART NO.:<br><b>SO3PEDTK</b> | REV.: |
|---|------------------------------|-------|

THE INFORMATION CONTAINED WITHIN THIS DOCUMENT IS PROPRIETARY TO AAA PRODUCTS AND MAY NOT BE DISCLOSED WITHOUT PRIOR WRITTEN CONSENT