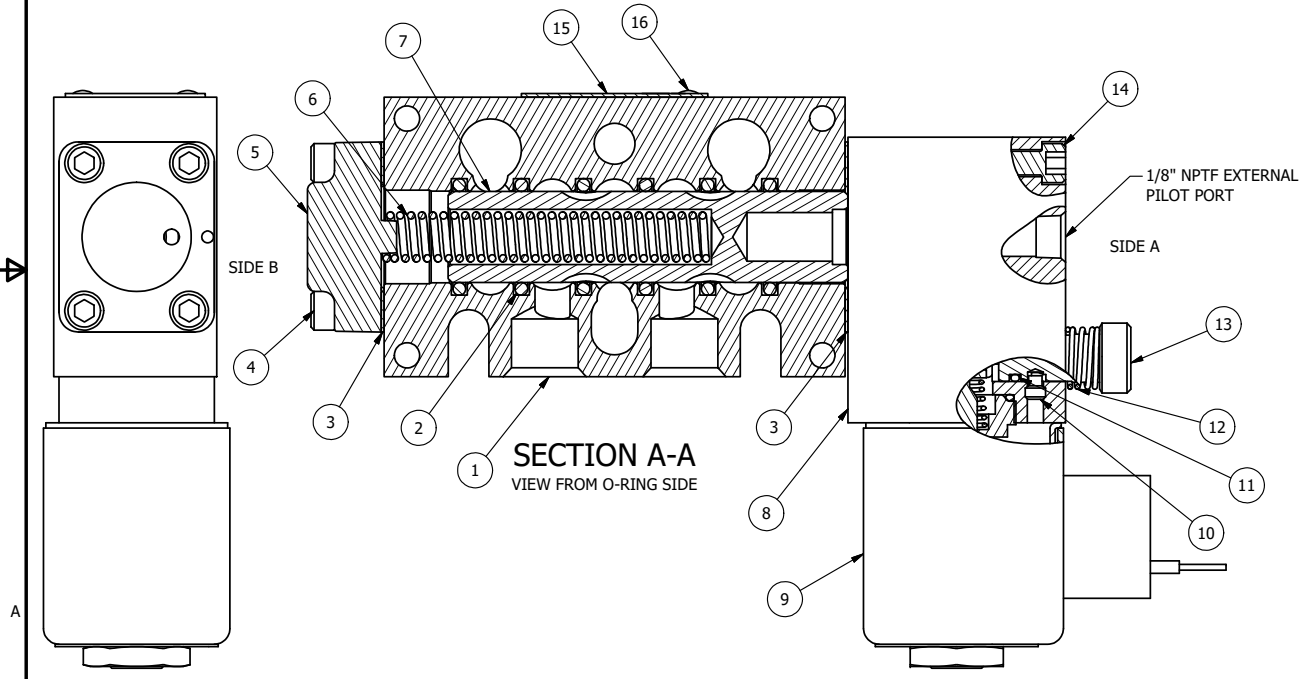


POSITION GASKET ON END OF VALVE TO SEAL PILOT HOLE IF PRESENT, BOTH SIDES (SIDE 'A' SHOWN)



NOTES:  
 1) ALWAYS GIVE VALVE MODEL AND PART NUMBER WHEN ORDERING PARTS.  
 2) FOR DIFFERENT VOLTAGES OTHER THAN 120/60, REPLACE SOLENOID OPERATOR WITH OPERATOR LISTED IN TABLE BELOW. REFERENCE AY-38 DRAWING FOR REPLACEMENT COILS.

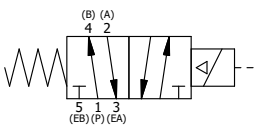
FLG	QTY	PART NO	DESCRIPTION
17	3	V-110	O-RING, BUNA-N, 70 DURO, AS-114, (REF 5/8 X 13/16 X 3/32), 1/4" SLEEVE, 1/2" SUB, STACK
16	2	V-212	SCREW, #2 X 3/16 DRIVE, TYPE U, OVAL HEAD, STAINLESS STEEL
15	1	AN-114	NAMEPLATE, BLANK, FOR VALVES WITH SPRINGS OR DETENTS
14	4	V-1	SCREW, 10-24 X 2, SOCKET HEAD CAP
13	1	OP3	PIN - MANUAL OVERRIDE, 1/4" & 3/8" VALVES
12	1	OS3	SPRING - MANUAL OVERRIDE, "CLASSIC" SOLENOID
11	1	V-85	O-RING, BUNA-N, 70 DURO, AS-010, (REF 1/4 X 3/8 X 1/16), CLASSIC OVRD
10	1	V-81	SCREW, 8-32 X 5/16, SOCKET SET, FULL DOG POINT
9	1	AY-38-11	CLASSIC SOLENOID - STANDARD, COMPLETE OPERATOR, 120/60
8	1	PB3-6E	ADAPTOR - SOLENOID, WITH O'RIDE, SINGLE PILOT, 1/4" & 3/8" STACKING VALVE
7	1	S3	SPOOL - STANDARD, 2 POS, CLSD CTR, 1/4" & 3/8" VALVE
6	1	CS3	SPRING - RETURN, (EXCEPT HO, KO & PO) 1/4" & 3/8" VALVES
5	1	SEC3-A	END CAP, VENTED, SPRING BOSS, 380 AL, 1/4" & 3/8" VALVE
4	4	V-38	SCREW, 10-24 X 3/4, SOCKET HEAD CAP
3	2	ECG3	GASKET - END CAP, 1/4" & 3/8" VALVE
2	6	V-39	O-RING, VITON, STD BODY, 1/4" & 3/8" VALVES
1	1	B3-10E	FINISHED - SOLID BODY, UPPER PILOTS, 3/8" STACKING VALVE

LIMITS ON DIMENSIONS UNLESS OTHERWISE SPECIFIED  
 2-PL DECIMAL ± .01  
 3-PL DECIMAL ± .005  
 FRACTIONAL ± 1/64  
 ANGULAR ± 1/2°

**AAA PRODUCTS INTERNATIONAL**  
 PRODUCTS INTERNATIONAL  
 7114 Harry Hines Blvd  
 Dallas, TX 75235

DRAWN: RMckenna DATE: 10/16/2016 CHECKED: KWaite DATE: 10/16/2016  
 SCALE: None SHEET: 1 OF 1 RELEASED: HWomack DATE: 10/16/2016

OPERATOR VOLTAGES	
PART NO	REPLACE OPERATOR
BSO3OZ 240/60	AY-38-17
BSO3OZ 24VDC	AY-38-8
BSO3OZ 12VDC	AY-38-5



TITLE: 3/8" STACK, SNGL SOL, 2 POS, SPRING RTRN, CLASSIC SOL, 120/60, LCKNG OVRD, EXT PILOT  
 PART NO.: BSO3OZ  
 REV.:

THE INFORMATION CONTAINED WITHIN THIS DOCUMENT IS PROPRIETARY TO AAA PRODUCTS AND MAY NOT BE DISCLOSED WITHOUT PRIOR WRITTEN CONSENT

P:\Engineering\Product Valve Assembly\Classic\SO3OZ\VA\BSO3OZ.dwg