

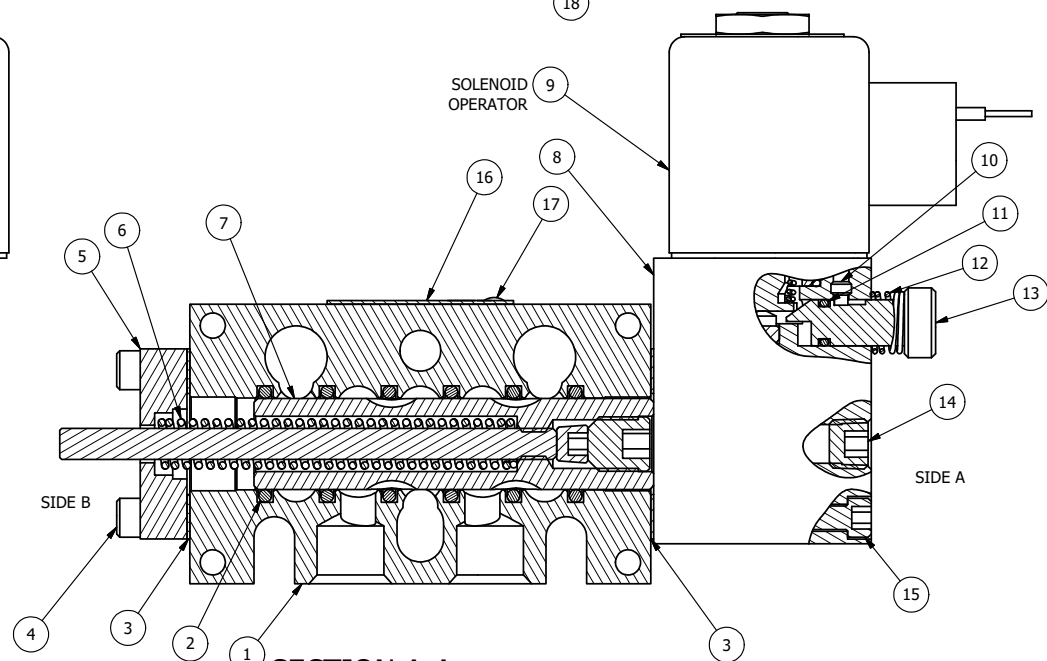
POSITION GASKET ON END OF VALVE TO SEAL PILOT HOLE IF PRESENT, SIDE 'B' ONLY

POSITION GASKET ON END OF VALVE TO ALIGN PILOT HOLES, SIDE 'A' ONLY

O-RING SIDE

NOTES:

- 1) ALWAYS GIVE VALVE MODEL AND PART NUMBER WHEN ORDERING PARTS.
- 2) FOR DIFFERENT VOLTAGES OTHER THAN 120/60, REPLACE SOLENOID OPERATOR WITH OPERATOR LISTED IN TABLE BELOW. REFERENCE AY-38 DRAWING FOR REPLACEMENT COILS.



SECTION A-A  
VIEW FROM O-RING SIDE

|     |     |           |   |
|-----|-----|-----------|---|
| 18  | 3   | V-110     | O-RING, BUNA-N, 70 DURO, AS-114, (REF 5/8 X 13/16 X 3/32), 1/4" SLEEVE, 1/2" SUB, STACK |
| 17  | 2   | V-212     | SCREW, #2 X 3/16 DRIVE, TYPE U, OVAL HEAD, STAINLESS STEEL                              |
| 16  | 1   | AN-114    | NAMEPLATE, BLANK, FOR VALVES WITH SPRINGS OR DETENTS                                    |
| 15  | 4   | V-1       | SCREW, 10-24 X 2, SOCKET HEAD CAP   |
| 14  | 1   | V-19      | PLUG, SOCKET PIPE 1/8" NPT (#601-3 PITTSBURG PLUG PART #.)                              |
| 13  | 1   | POP-3     | OVERRIDE, PUSH PIN, 303 STAINLESS, 1/4" & 3/8" VALVE                                    |
| 12  | 1   | OS3       | SPRING - MANUAL OVERRIDE, "CLASSIC" SOLENOID  |
| 11  | 1   | V-85      | O-RING, BUNA-N, 70 DURO, AS-010, (REF 1/4 X 3/8 X 1/16), CLASSIC OVRD                   |
| 10  | 1   | V-81      | SCREW, 8-32 X 5/16, SOCKET SET, FULL DOG POINT  |
| 9   | 1   | AY-38-11  | CLASSIC SOLENOID - STANDARD, COMPLETE OPERATOR, 120/60                                  |
| 8   | 1   | PB3-6E    | ADAPTOR - SOLENOID, WITH O'RIDE, SINGLE PILOT, 1/4" & 3/8" STACKING VALVE               |
| 7   | 1   | AY-S3-SIK | ASSEMBLY - SPOOL INDICATOR, THREADED, 1/4" & 3/8" VALVE                                 |
| 6   | 1   | CS3       | SPRING - RETURN, (EXCEPT HO, KO & PO) 1/4" & 3/8" VALVES                                |
| 5   | 1   | PEC3-5    | END CAP, INDICATOR PIN, WIPER CAVITY, 6061-T6, 1/4" & 3/8" VALVE                        |
| 4   | 4   | V-38      | SCREW, 10-24 X 3/4, SOCKET HEAD CAP   |
| 3   | 2   | ECG3      | GASKET - END CAP, 1/4" & 3/8" VALVE   |
| 2   | 6   | V-39      | O-RING, VITON, STD BODY, 1/4" & 3/8" VALVES   |
| 1   | 1   | B3-10E    | FINISHED - SOLID BODY, UPPER PILOTS, 3/8" STACKING VALVE                                |
| FLG | QTY | PART NO   | DESCRIPTION   |

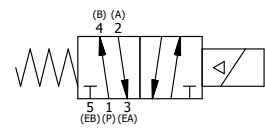
LIMITS ON DIMENSIONS  
UNLESS OTHERWISE SPECIFIED

2-PL DECIMAL ± .01  
3-PL DECIMAL ± .005  
FRACTIONAL ± 1/64  
ANGULAR ± 1/2°



DRAWN: RMcKenna DATE: 9/29/2019 CHECKED: KWaite DATE: 9/29/2019  
SCALE: 1:1 SHEET: 1 OF 1 RELEASED: HWomack DATE: 9/29/2019

| OPERATOR VOLTAGES |                  |
|-------------------|------------------|
| PART NO           | REPLACE OPERATOR |
| BSO30PK 12VDC     | AY-38-5          |
| BSO30PK 24VDC     | AY-38-8          |
| BSO30PK 240/60    | AY-38-17         |



TITLE:  
3/8" STACK, SNGL SOL, 2 POS,  
SPRING RTRN, CLASSIC SOL, 120/60,  
PUSH OVRD, THREADED INDCTR PIN

PART NO.:  
BSO30PK

THE INFORMATION CONTAINED WITHIN THIS DOCUMENT IS PROPRIETARY TO AAA PRODUCTS AND MAY NOT BE DISCLOSED WITHOUT PRIOR WRITTEN CONSENT