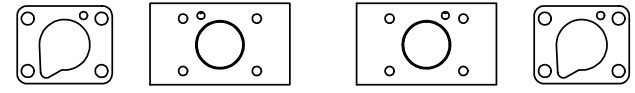
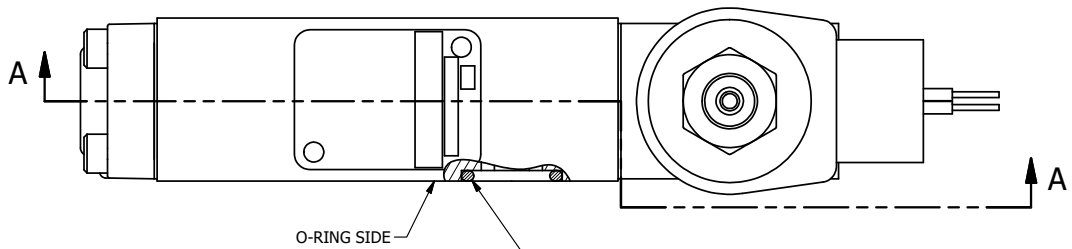


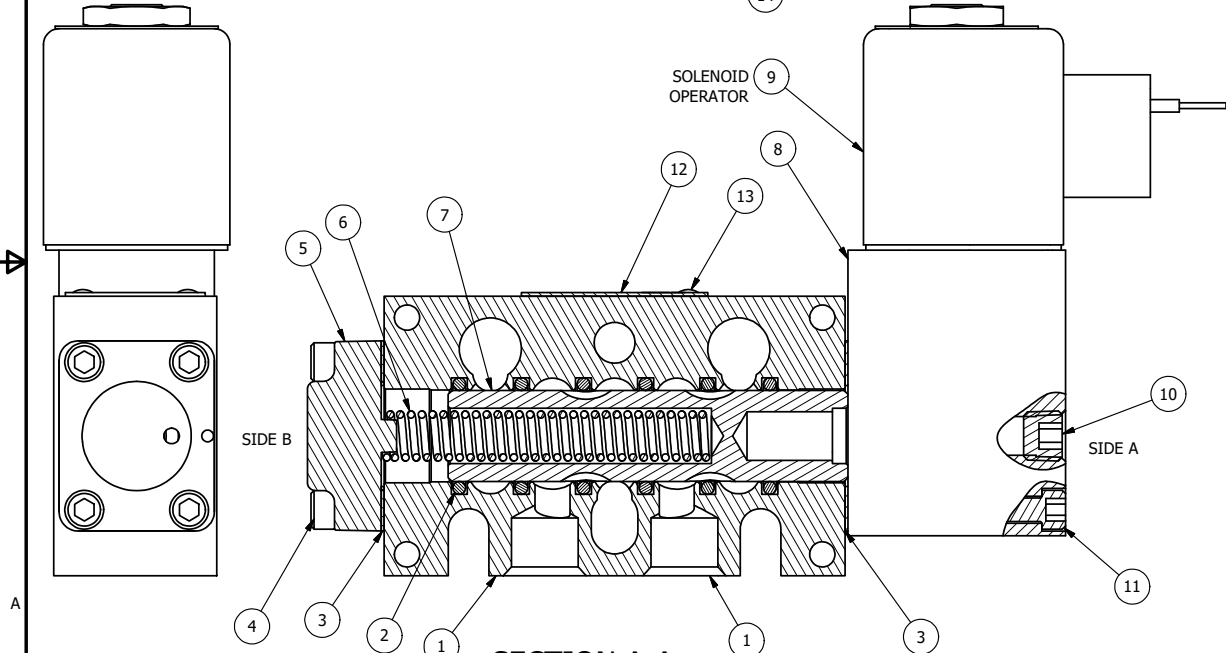
4 | | 3 | | 2 | | 1



POSITION GASKET ON END OF VALVE TO SEAL PILOT HOLE IF PRESENT, SIDE 'B' ONLY

POSITION GASKET ON END OF VALVE TO ALIGN PILOT HOLES, SIDE 'A' ONLY

NOTES:  
 1) ALWAYS GIVE VALVE MODEL AND PART NUMBER WHEN ORDERING PARTS.  
 2) FOR DIFFERENT VOLTAGES OTHER THAN 120/60, REPLACE SOLENOID OPERATOR WITH OPERATOR LISTED IN TABLE BELOW. REFERENCE AY-38 DRAWING FOR REPLACEMENT COILS.

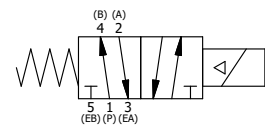


SECTION A-A  
VIEW FROM O-RING SIDE

|     |     |          |   |
|-----|-----|----------|---|
| 14  | 3   | V-110    | O-RING, BUNA-N, 70 DURO, AS-114, (REF 5/8 X 13/16 X 3/32), 1/4" SLEEVE, 1/2" SUB, STACK |
| 13  | 2   | V-212    | SCREW, #2 X 3/16 DRIVE, TYPE U, OVAL HEAD, STAINLESS STEEL                              |
| 12  | 1   | AN-114   | NAMEPLATE, BLANK, FOR VALVES WITH SPRINGS OR DETENTS                                    |
| 11  | 4   | V-1      | SCREW, 10-24 X 2, SOCKET HEAD CAP   |
| 10  | 1   | V-19     | PLUG, SOCKET PIPE 1/8" NPT (#601-3 PITTSBURG PLUG PART #.)                              |
| 9   | 1   | AY-38-11 | CLASSIC SOLENOID - STANDARD, COMPLETE OPERATOR, 120/60                                  |
| 8   | 1   | PB3-5E   | ADAPTOR - SOLENOID, SINGLE PILOT, 1/4" & 3/8" STACKING VALVE                            |
| 7   | 1   | S3       | SPOOL - STANDARD, 2 POS, CLSD CTR, 1/4" & 3/8" VALVE                                    |
| 6   | 1   | CS3      | SPRING - RETURN, (EXCEPT HO, KO & PO) 1/4" & 3/8" VALVES                                |
| 5   | 1   | SEC3-A   | END CAP, VENTED, SPRING BOSS, 380 AL, 1/4" & 3/8" VALVE                                 |
| 4   | 4   | V-38     | SCREW, 10-24 X 3/4, SOCKET HEAD CAP   |
| 3   | 2   | ECG3     | GASKET - END CAP, 1/4" & 3/8" VALVE   |
| 2   | 6   | V-39     | O-RING, VITON, STD BODY, 1/4" & 3/8" VALVES   |
| 1   | 1   | B3-10E   | FINISHED - SOLID BODY, UPPER PILOTS, 3/8" STACKING VALVE                                |
| FLG | QTY | PART NO  | DESCRIPTION   |

|  |                  |  |                 |  |
|--|------------------|--|-----------------|--|
| LIMITS ON DIMENSIONS UNLESS OTHERWISE SPECIFIED                                |                  | 2-PL DECIMAL ± .01<br>3-PL DECIMAL ± .005<br>FRACTIONAL ± 1/64<br>ANGULAR ± 1/2° |                 | <b>AAA PRODUCTS INTERNATIONAL</b><br>7114 Harry Hines Blvd<br>Dallas, TX 75235 |
| DRAWN: RMckenna  | DATE: 12/20/2014 | CHECKED: KWaite  | DATE: 5/30/2015 |  |
| SCALE: 1 : 1   | SHEET: 1 OF 1    | RELEASED: HWomack  | DATE: 5/30/2015 |  |
| TITLE:<br><b>3/8" STACK, SNGL SOL, 2 POS, SPRING RTRN, CLASSIC SOL, 120/60</b> |                  |  | PART NO.:       | REV.:  |
|  |                  |  | BSO3            |  |

| OPERATOR VOLTAGES |                  |
|-------------------|------------------|
| PART NO           | REPLACE OPERATOR |
| BSO3 240/60       | AY-38-17         |
| BSO3 24VDC        | AY-38-8          |
| BSO3 12VDC        | AY-38-5          |



4 | | 3 | | 2 | | 1

THE INFORMATION CONTAINED WITHIN THIS DOCUMENT IS PROPRIETARY TO AAA PRODUCTS AND MAY NOT BE DISCLOSED WITHOUT PRIOR WRITTEN CONSENT

D:\Engineering\product\Valve Assembly\Classic\Schematic\BSO3.dwg