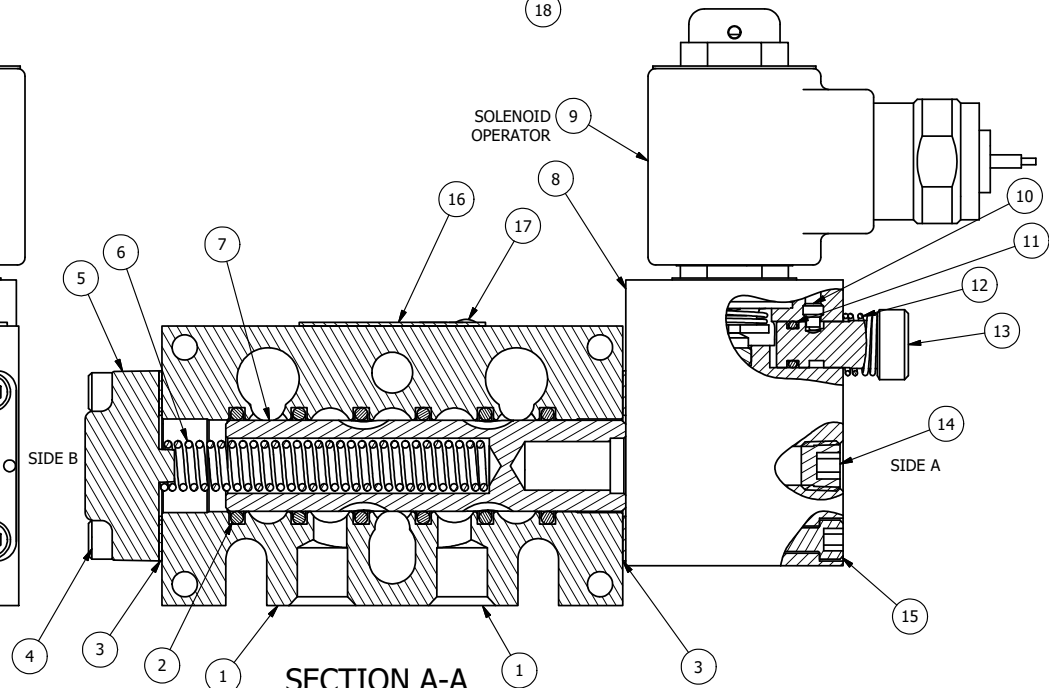


POSITION GASKET ON END OF VALVE TO SEAL PILOT HOLE IF PRESENT, SIDE 'B' ONLY

POSITION GASKET ON END OF VALVE TO ALIGN PILOT HOLES, SIDE 'A' ONLY

O-RING SIDE 18

SOLENOID OPERATOR 9



SECTION A-A
VIEW FROM O-RING SIDE

NOTES:

- 1) ALWAYS GIVE VALVE MODEL AND PART NUMBER WHEN ORDERING PARTS.
- 2) FOR DIFFERENT VOLTAGES OTHER THAN 120/60, REPLACE SOLENOID OPERATOR WITH OPERATOR LISTED IN TABLE BELOW. REFERENCE AY-38ML DRAWING FOR REPLACEMENT COILS.

18	3	V-110	O-RING, BUNA-N, 70 DURO, AS-114, (REF 5/8 X 13/16 X 3/32), 1/4" SLEEVE, 1/2" SUB, STACK
17	2	V-212	SCREW, #2 X 3/16 DRIVE, TYPE U, OVAL HEAD, STAINLESS STEEL
16	1	AN-114	NAMEPLATE, BLANK, FOR VALVES WITH SPRINGS OR DETENTS
15	4	V-1	SCREW, 10-24 X 2, SOCKET HEAD CAP
14	1	V-19	PLUG, SOCKET PIPE 1/8" NPT (#601-3 PITTSBURG PLUG PART #.)
13	1	OP3	PIN - MANUAL OVERRIDE, 1/4" & 3/8" VALVES
12	1	OS3	SPRING - MANUAL OVERRIDE, "CLASSIC" SOLENOID
11	1	V-85	O-RING, BUNA-N, 70 DURO, AS-010, (REF 1/4 X 3/8 X 1/16), CLASSIC OVRD
10	1	V-81	SCREW, 8-32 X 5/16, SOCKET SET, FULL DOG POINT
9	1	AY-38ML-11	CLASSIC SOLENOID - 1/2" NPT CONDUIT, DUST EXCLDR, 120/60
8	1	PB3-6E	ADAPTOR - SOLENOID, WITH O'RIDE, SINGLE PILOT, 1/4" & 3/8" STACKING VALVE
7	1	S3	SPOOL - STANDARD, 2 POS, CLSD CTR, 1/4" & 3/8" VALVE
6	1	CS3	SPRING - RETURN, (EXCEPT HO, KO & PO) 1/4" & 3/8" VALVES
5	1	SEC3-A	END CAP, VENTED, SPRING BOSS, 380 AL, 1/4" & 3/8" VALVE
4	4	V-38	SCREW, 10-24 X 3/4, SOCKET HEAD CAP
3	2	ECG3	GASKET - END CAP, 1/4" & 3/8" VALVE
2	6	V-39	O-RING, VITON, STD BODY, 1/4" & 3/8" VALVES
1	1	B2-10E	FINISHED - SOLID BODY, UPPER PILOTS, 1/4" STACKING VALVE
FLG	QTY	PART NO	DESCRIPTION

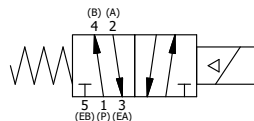
LIMITS ON DIMENSIONS
UNLESS OTHERWISE SPECIFIED
2-PL DECIMAL ± .01
3-PL DECIMAL ± .005
FRACTIONAL ± 1/64
ANGULAR ± 1/2°



DRAWN: RMckenna DATE: 11/1/2016
SCALE: 1 : 1 SHEET: 1 OF 1

CHECKED: KWaite DATE: 11/1/2016
RELEASED: HWomack DATE: 11/1/2016

OPERATOR VOLTAGES	
PART NO	REPLACE OPERATOR
BSO2MOL 240/60	AY-38ML-17
BSO2MOL 24VDC	AY-38ML-8
BSO2MOL 12VDC	AY-38ML-5



TITLE:
1/4" STACK, SNGL SOL, 2 POS,
SPRING RTRN, MOLD-OVER, 120/60,
LCKNG OVRD, DUST EXCLDR

PART NO.:
BSO2MOL
REV.: