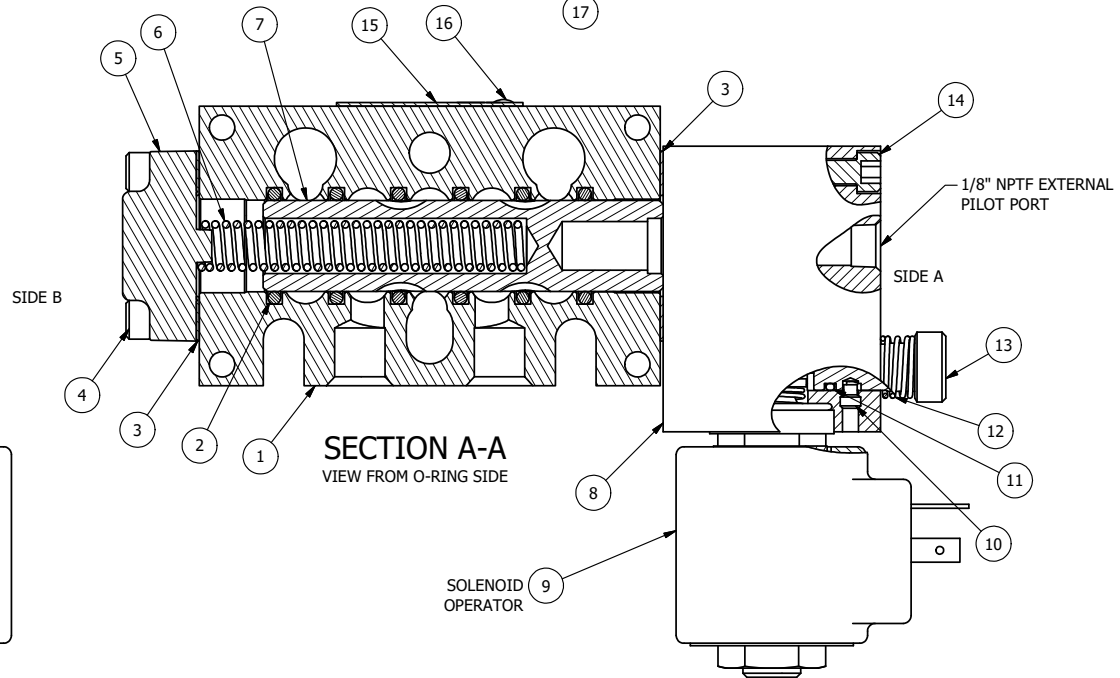


POSITION GASKET ON END OF VALVE TO SEAL PILOT HOLE IF PRESENT, BOTH SIDES (SIDE 'A' SHOWN)



NOTES:

- 1) ALWAYS GIVE VALVE MODEL AND PART NUMBER WHEN ORDERING PARTS.
- 2) FOR DIFFERENT VOLTAGES OTHER THAN 120/60, REPLACE SOLENOID OPERATOR WITH OPERATOR LISTED IN TABLE BELOW. REFERENCE AY-38ED DRAWING FOR REPLACEMENT COILS.

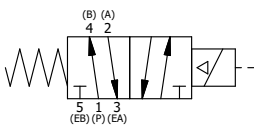
|     |     |            |   |
|-----|-----|------------|---|
| 17  | 3   | V-110      | O-RING, BUNA-N, 70 DURO, AS-114, (REF 5/8 X 13/16 X 3/32), 1/4" SLEEVE, 1/2" SUB, STACK |
| 16  | 2   | V-212      | SCREW, #2 X 3/16 DRIVE, TYPE U, OVAL HEAD, STAINLESS STEEL                              |
| 15  | 1   | AN-114     | NAMEPLATE, BLANK, FOR VALVES WITH SPRINGS OR DETENTS                                    |
| 14  | 4   | V-1        | SCREW, 10-24 X 2, SOCKET HEAD CAP   |
| 13  | 1   | OP3        | PIN - MANUAL OVERRIDE, 1/4" & 3/8" VALVES   |
| 12  | 1   | OS3        | SPRING - MANUAL OVERRIDE, "CLASSIC" SOLENOID  |
| 11  | 1   | V-85       | O-RING, BUNA-N, 70 DURO, AS-010, (REF 1/4 X 3/8 X 1/16), CLASSIC OVRD                   |
| 10  | 1   | V-81       | SCREW, 8-32 X 5/16, SOCKET SET, FULL DOG POINT  |
| 9   | 1   | AY-38ED-11 | CLASSIC SOLENOID - ISO 4400 DIN, 120/60   |
| 8   | 1   | PB3-6E     | ADAPTOR - SOLENOID, WITH O'RIDE, SINGLE PILOT, 1/4" & 3/8" STACKING VALVE               |
| 7   | 1   | S3         | SPOOL - STANDARD, 2 POS, CLSD CTR, 1/4" & 3/8" VALVE                                    |
| 6   | 1   | CS3        | SPRING - RETURN, (EXCEPT HO, KO & PO) 1/4" & 3/8" VALVES                                |
| 5   | 1   | SEC3-A     | END CAP, VENTED, SPRING BOSS, 380 AL, 1/4" & 3/8" VALVE                                 |
| 4   | 4   | V-38       | SCREW, 10-24 X 3/4, SOCKET HEAD CAP   |
| 3   | 2   | ECG3       | GASKET - END CAP, 1/4" & 3/8" VALVE   |
| 2   | 6   | V-39       | O-RING, VITON, STD BODY, 1/4" & 3/8" VALVES   |
| 1   | 1   | B2-10E     | FINISHED - SOLID BODY, UPPER PILOTS, 1/4" STACKING VALVE                                |
| FLG | QTY | PART NO    | DESCRIPTION   |

LIMITS ON DIMENSIONS  
UNLESS OTHERWISE SPECIFIED  
2-PL DECIMAL ± .01  
3-PL DECIMAL ± .005  
FRACTIONAL ± 1/64  
ANGULAR ± 1/2°

**AAA PRODUCTS INTERNATIONAL**  
7114 Harry Hines Blvd  
Dallas, TX 75235

DRAWN: RMckenna DATE: 11/28/2016 CHECKED: KWaite DATE: 11/28/2016  
SCALE: 1 : 1 SHEET: 1 OF 1 RELEASED: HWomack DATE: 11/28/2016

| OPERATOR VOLTAGES |                  |
|-------------------|------------------|
| PART NO           | REPLACE OPERATOR |
| BSO2EDOZ 240/60   | AY-38ED-17       |
| BSO2EDOZ 24VDC    | AY-38ED-8        |
| BSO2EDOZ 12VDC    | AY-38ED-5        |



TITLE: 1/4" STACK, SNGL SOL, 2 POS, SPRING RTRN, ISO 4400 DIN, 120/60, LCKNG OVRD, EXT PILOT  
PART NO.: BSO2EDOZ  
REV.:

THE INFORMATION CONTAINED WITHIN THIS DOCUMENT IS PROPRIETARY TO AAA PRODUCTS AND MAY NOT BE DISCLOSED WITHOUT PRIOR WRITTEN CONSENT