

POSITION GASKET ON END OF VALVE TO SEAL PILOT HOLE IF PRESENT, SIDE 'B' ONLY

POSITION GASKET ON END OF VALVE TO ALIGN PILOT HOLES, SIDE 'A' ONLY

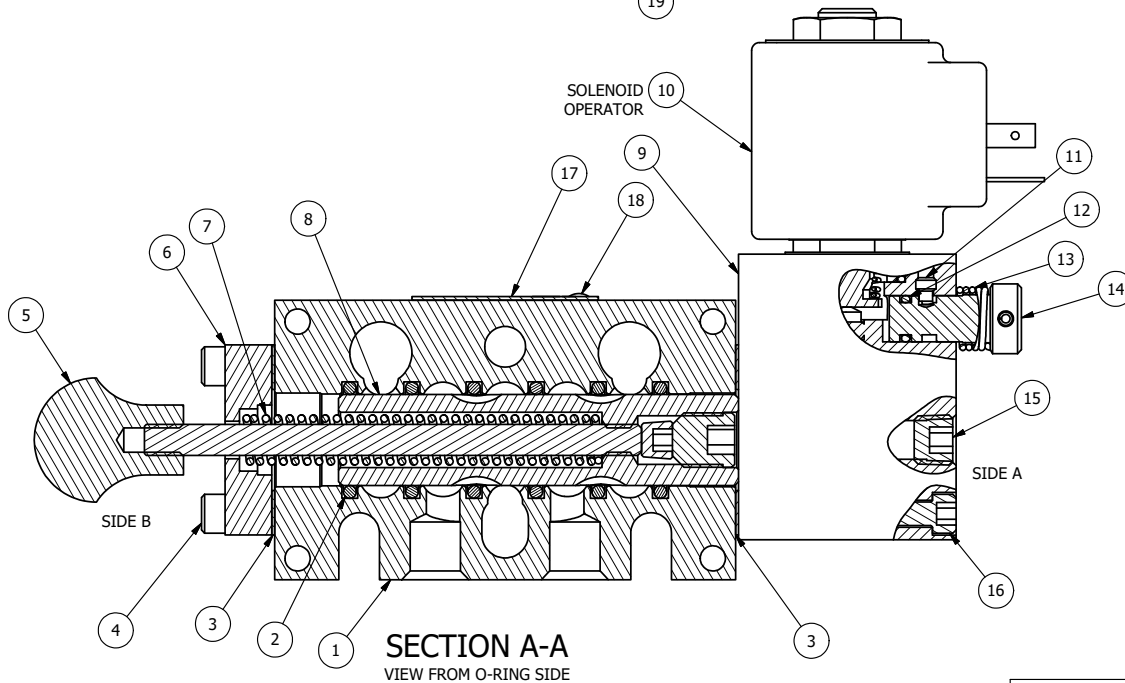
O-RING SIDE

19

NOTES:

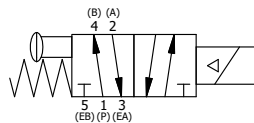
- 1) ALWAYS GIVE VALVE MODEL AND PART NUMBER WHEN ORDERING PARTS.
- 2) FOR DIFFERENT VOLTAGES OTHER THAN 120/60, REPLACE SOLENOID OPERATOR WITH OPERATOR LISTED IN TABLE BELOW. REFERENCE AY-38EDT DRAWING FOR REPLACEMENT COILS.

FLG	QTY	PART NO	DESCRIPTION
19	3	V-110	O-RING, BUNA-N, 70 DURO, AS-114, (REF 5/8 X 13/16 X 3/32), 1/4" SLEEVE, 1/2" SUB, STACK
18	2	V-212	SCREW, #2 X 3/16 DRIVE, TYPE U, OVAL HEAD, STAINLESS STEEL
17	1	AN-114	NAMEPLATE, BLANK, FOR VALVES WITH SPRINGS OR DETENTS
16	4	V-1	SCREW, 10-24 X 2, SOCKET HEAD CAP
15	1	V-19	PLUG, SOCKET PIPE 1/8" NPT (#601-3 PITTSBURG PLUG PART #.)
14	1	OP3-W	VERRIDE PIN - SPRING RETURN, 1/4" & 3/8" VALVE
13	1	OS3W	SPRING - OVERRIDE RETURN, "CLASSIC" SOLENOID
12	1	V-85	O-RING, BUNA-N, 70 DURO, AS-010, (REF 1/4 X 3/8 X 1/16), CLASSIC OVRD
11	1	V-81	SCREW, 8-32 X 5/16, SOCKET SET, FULL DOG POINT
10	1	AY-38EDT-11	CLASSIC SOLENOID - ISO 4400 DIN, 1/8" NPTF SOL EXHST, 120/60
9	1	PB3-6EW	ADAPTOR - SNGL SOL., NON-LOCKING OVERRIDE, 1/4" & 3/8" STACK VALVE
8	1	AY-S3-SIK	ASSEMBLY - SPOOL INDICATOR, THREADED, 1/4" & 3/8" VALVE
7	1	CS3	SPRING - RETURN, (EXCEPT HO, KO & PO) 1/4" & 3/8" VALVES
6	1	PEC3-5	END CAP, INDICATOR PIN, WIPER CAVITY, 6061-T6, 1/4" & 3/8" VALVE
5	1	V-570	KNOB, BLACK (BRASS 1/4-20 INSERT), OS OPTION
4	4	V-38	SCREW, 10-24 X 3/4, SOCKET HEAD CAP
3	2	ECG3	GASKET - END CAP, 1/4" & 3/8" VALVE
2	6	V-39	O-RING, VITON, STD BODY, 1/4" & 3/8" VALVES
1	1	B2-10E	FINISHED - SOLID BODY, UPPER PILOTS, 1/4" STACKING VALVE



SECTION A-A  
VIEW FROM O-RING SIDE

OPERATOR VOLTAGES	
PART NO	REPLACE OPERATOR
BSO2EDONTOS 12VDC	AY-38EDT-5
BSO2EDONTOS 24VDC	AY-38EDT-8
BSO2EDONTOS 240/60	AY-38EDT-17



LIMITS ON DIMENSIONS UNLESS OTHERWISE SPECIFIED  
 2-PL DECIMAL ± .01  
 3-PL DECIMAL ± .005  
 FRACTIONAL ± 1/64  
 ANGULAR ± 1/2°

DRAWN: RMckenna DATE: 2/2/2020  
 SCALE: 1 : 1 SHEET: 1 OF 1

TITLE:  
 1/4" STACK, SNGL SOL, 2 POS,  
 SPR RTRN, ISO 4400 DIN, 120/60,  
 N-LCKNG OVRD, TPD VENT, SPL OVRD



CHECKED: KWaite DATE: 2/2/2020	RELEASED: HWomack DATE: 2/2/2020
PART NO.: BSO2EDONTOS	REV.: