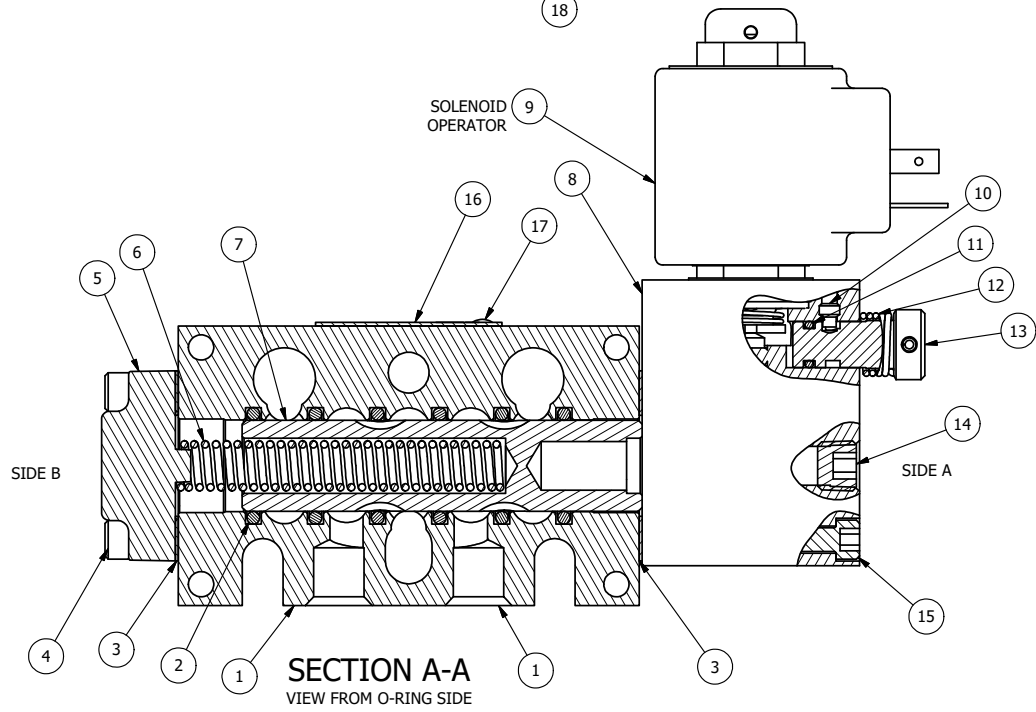
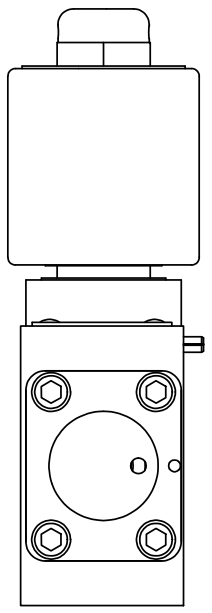


POSITION GASKET ON END OF VALVE TO SEAL PILOT HOLE IF PRESENT, SIDE 'B' ONLY

POSITION GASKET ON END OF VALVE TO ALIGN PILOT HOLES, SIDE 'A' ONLY



NOTES:

- 1) ALWAYS GIVE VALVE MODEL AND PART NUMBER WHEN ORDERING PARTS.
- 2) FOR DIFFERENT VOLTAGES OTHER THAN 120/60, REPLACE SOLENOID OPERATOR WITH OPERATOR LISTED IN TABLE BELOW. REFERENCE AY-38EDL DRAWING FOR REPLACEMENT COILS.

| | | | |
|-----|-----|-------------|---|
| 18 | 3 | V-110 | O-RING, BUNA-N, 70 DURO, AS-114, (REF 5/8 X 13/16 X 3/32), 1/4" SLEEVE, 1/2" SUB, STACK |
| 17 | 2 | V-212 | SCREW, #2 X 3/16 DRIVE, TYPE U, OVAL HEAD, STAINLESS STEEL |
| 16 | 1 | AN-114 | NAMEPLATE, BLANK, FOR VALVES WITH SPRINGS OR DETENTS |
| 15 | 4 | V-1 | SCREW, 10-24 X 2, SOCKET HEAD CAP |
| 14 | 1 | V-19 | PLUG, SOCKET PIPE 1/8" NPT (#601-3 PITTSBURG PLUG PART #.) |
| 13 | 1 | OP3-W | OVERRIDE PIN - SPRING RETURN, 1/4" & 3/8" VALVE |
| 12 | 1 | OS3W | SPRING - OVERRIDE RETURN, "CLASSIC" SOLENOID |
| 11 | 1 | V-85 | O-RING, BUNA-N, 70 DURO, AS-010, (REF 1/4 X 3/8 X 1/16), CLASSIC OVRD |
| 10 | 1 | V-81 | SCREW, 8-32 X 5/16, SOCKET SET, FULL DOG POINT |
| 9 | 1 | AY-38EDL-11 | CLASSIC SOLENOID - ISO 4400 DIN, DUST EXCLUDER NUT, 120/60 |
| 8 | 1 | PB3-6EW | ADAPTOR - SNGL SOL., NON-LOCKING OVERRIDE, 1/4" & 3/8" STACK VALVE |
| 7 | 1 | S3 | SPOOL - STANDARD, 2 POS, CLSD CTR, 1/4" & 3/8" VALVE |
| 6 | 1 | CS3 | SPRING - RETURN, (EXCEPT HO, KO & PO) 1/4" & 3/8" VALVES |
| 5 | 1 | SEC3-A | END CAP, VENTED, SPRING BOSS, 380 AL, 1/4" & 3/8" VALVE |
| 4 | 4 | V-38 | SCREW, 10-24 X 3/4, SOCKET HEAD CAP |
| 3 | 2 | ECG3 | GASKET - END CAP, 1/4" & 3/8" VALVE |
| 2 | 6 | V-39 | O-RING, VITON, STD BODY, 1/4" & 3/8" VALVES |
| 1 | 1 | B2-10E | FINISHED - SOLID BODY, UPPER PILOTS, 1/4" STACKING VALVE |
| FLG | QTY | PART NO | DESCRIPTION |

LIMITS ON DIMENSIONS
UNLESS OTHERWISE SPECIFIED

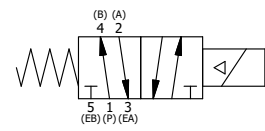
2-PL DECIMAL ± .01
3-PL DECIMAL ± .005
FRACTIONAL ± 1/64
ANGULAR ± 1/2°



DRAWN: RMckenna DATE: 1/8/2020
SCALE: 1 : 1 SHEET: 1 OF 1

CHECKED: KWaite DATE: 1/8/2020
RELEASED: HWomack DATE: 1/8/2020

| OPERATOR VOLTAGES | |
|-------------------|------------------|
| PART NO | REPLACE OPERATOR |
| BSO2EDONL 12VDC | AY-38EDL-5 |
| BSO2EDONL 24VDC | AY-38EDL-8 |
| BSO2EDONL 240/60 | AY-38EDL-17 |



TITLE:
1/4" STACK, SNGL SOL, 2 POS,
SPRING RTRN, ISO 4400 DIN, 120/60,
NON-LCKNG OVRD, DUST EXCLDR

PART NO.:
BSO2EDONL

THE INFORMATION CONTAINED WITHIN THIS DOCUMENT IS PROPRIETARY TO AAA PRODUCTS AND MAY NOT BE DISCLOSED WITHOUT PRIOR WRITTEN CONSENT

D:\Engineering\Product Valve Assembly\Classic\SO2AVG\BSO2EDONL.dwg