

4

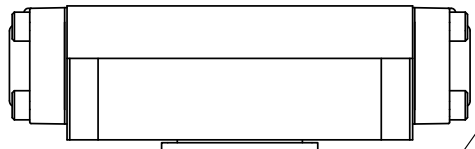
3

2

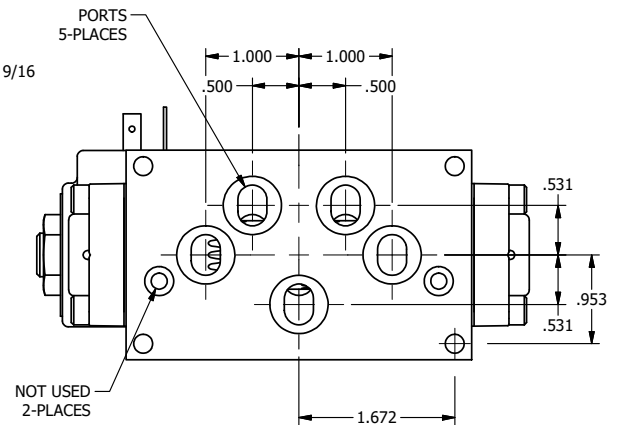
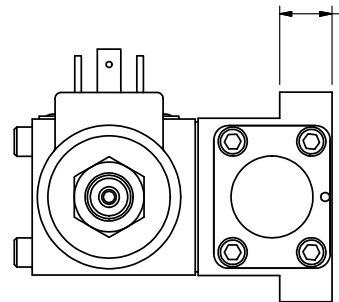
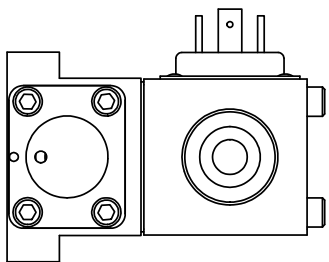
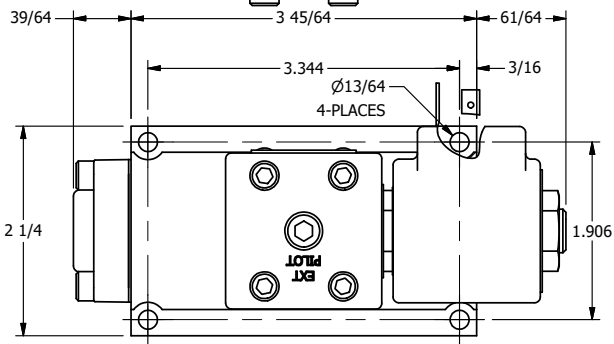
1

B

B

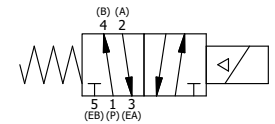
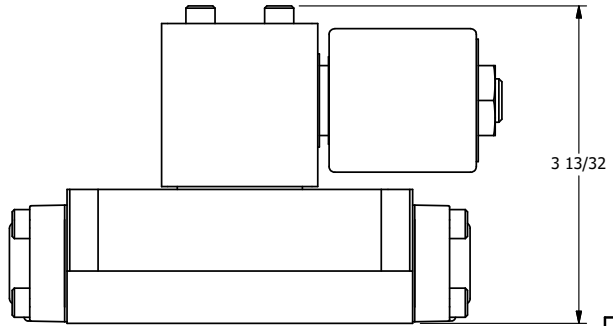


ISO 4400 DIN CONNECTION



A

A



4

3

2

1

A

A

AAA
PRODUCTS
INTERNATIONAL

**AAA PRODUCTS
INTERNATIONAL**
7114 Harry Hines Blvd
Dallas, TX 75235

TITLE **3/8" SUBPLATE, SNGL SOL, 2 POS,
SPRING RTRN, ISO 4400 DIN,
HIGH PSI SOL**

DRAWING NO.:
DIM_SO3PEDV

THE INFORMATION CONTAINED WITHIN THIS DOCUMENT IS PROPRIETARY TO AAA PRODUCTS AND MAY NOT BE DISCLOSED WITHOUT PRIOR WRITTEN CONSENT