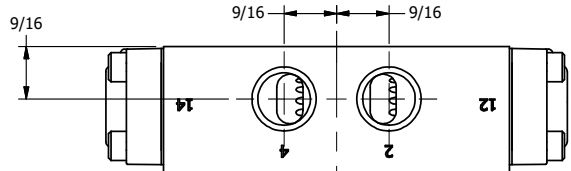


4

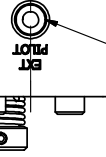
3

2

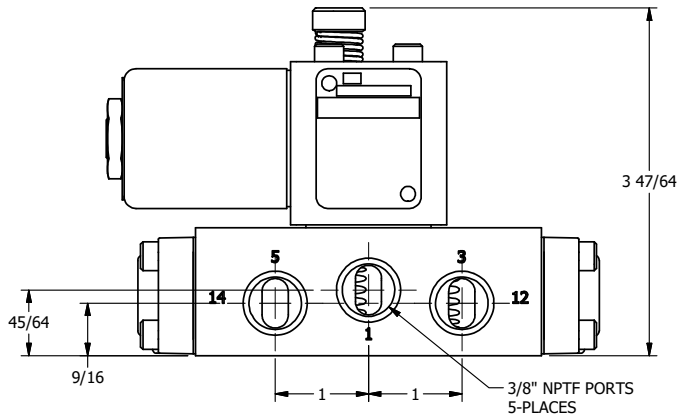
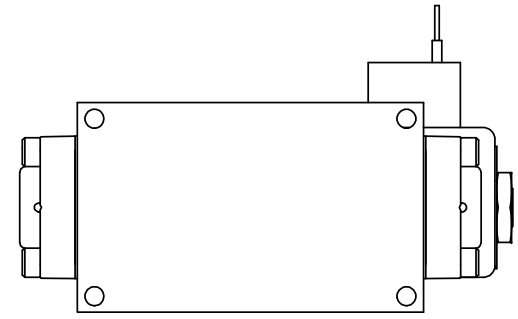
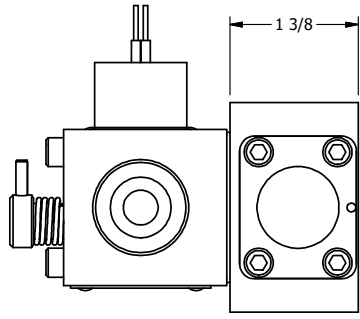
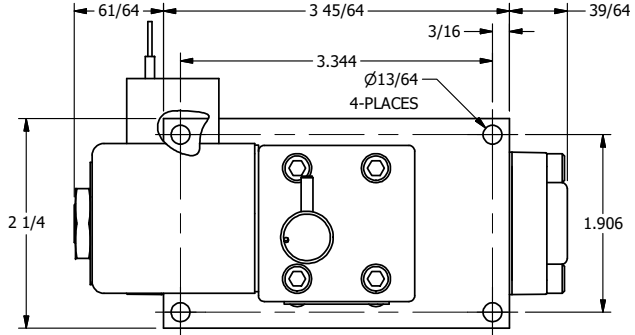
1



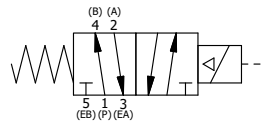
1/2" NPT CONDUIT CONNECTION



1/8" NPTF EXTERNAL PILOT



3/8" NPTF PORTS 5-PLACES



**AAA**  
PRODUCTS INTERNATIONAL  
7114 Harry Hines Blvd  
Dallas, TX 75235

TITLE: 3/8" SIDE PORT, SNGL SOL, 2 POS,  
SPRING RTRN, CLASSIC SOL,  
NON-LCKNG OVRD, EXT PILOT

DRAWING NO.:  
DIM\_S030NZ

THE INFORMATION CONTAINED WITHIN THIS DOCUMENT IS PROPRIETARY TO AAA PRODUCTS AND MAY NOT BE DISCLOSED WITHOUT PRIOR WRITTEN CONSENT