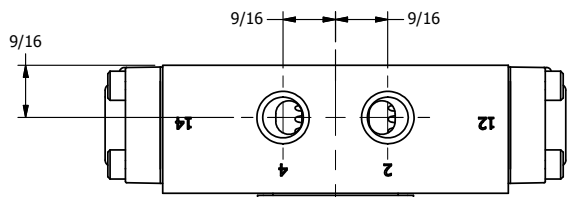


4

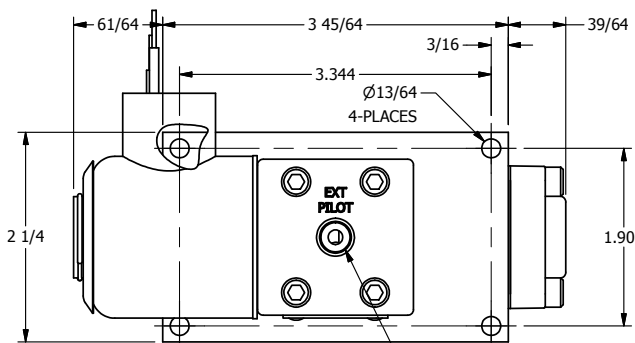
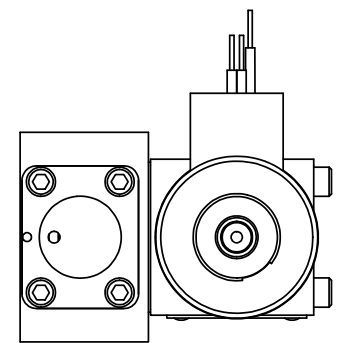
3

2

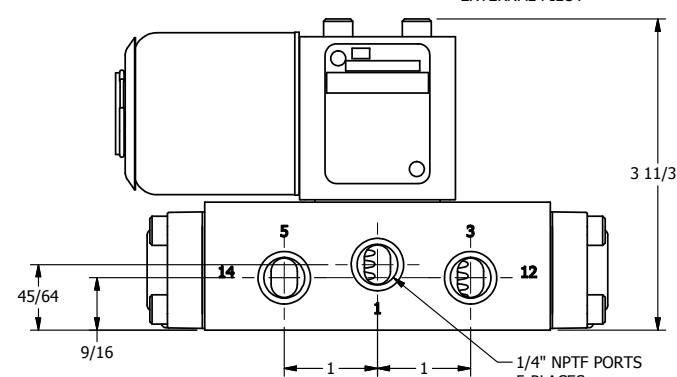
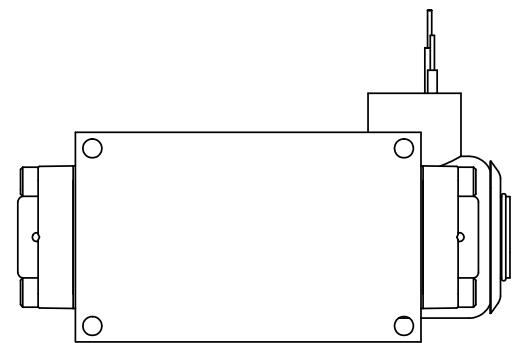
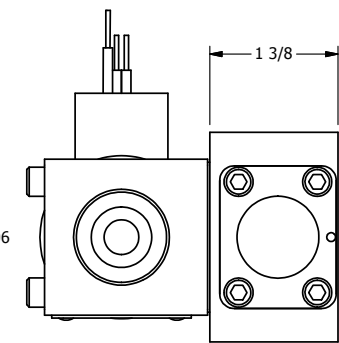
1



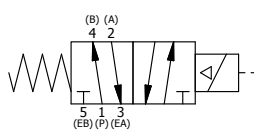
1/2" NPT CONDUIT CONNECTION



1/8" NPTF EXTERNAL PILOT



1/4" NPTF PORTS 5-PLACES



**AAA**  
PRODUCTS  
INTERNATIONAL

**AAA PRODUCTS INTERNATIONAL**  
7114 Harry Hines Blvd  
Dallas, TX 75235

TITLE: 1/4" SIDE PORT, SNGL SOL, 2 POS,  
SPRING RTRN, EXPL PROOF,  
EXT PILOT

DRAWING NO.:  
DIM\_SO2XZ

4

3

2

1

THE INFORMATION CONTAINED WITHIN THIS DOCUMENT IS PROPRIETARY TO AAA PRODUCTS AND MAY NOT BE DISCLOSED WITHOUT PRIOR WRITTEN CONSENT