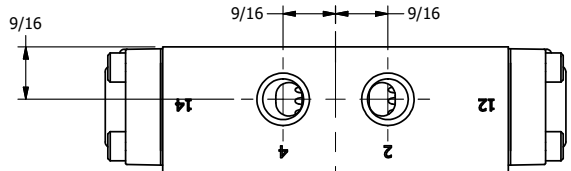


4

3

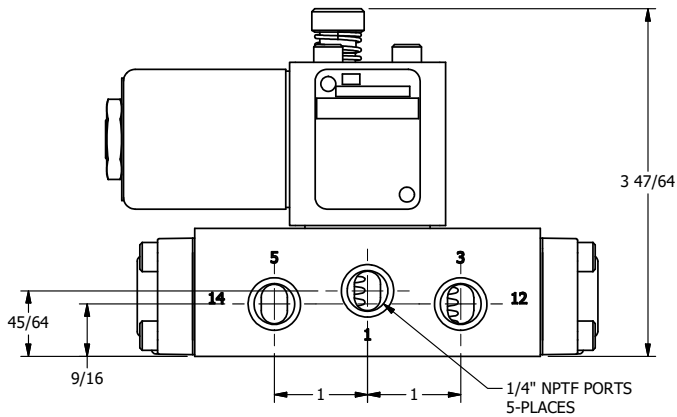
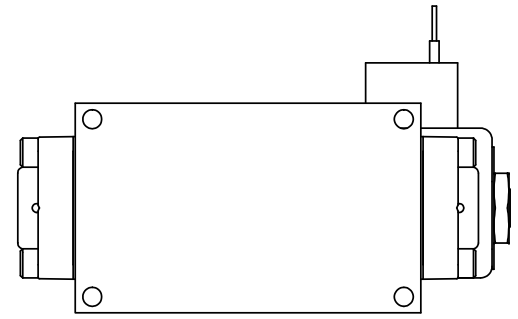
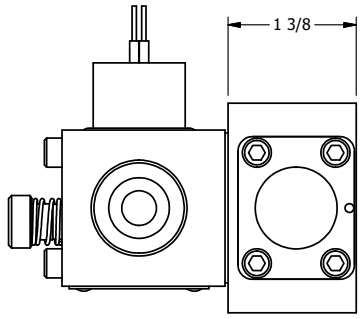
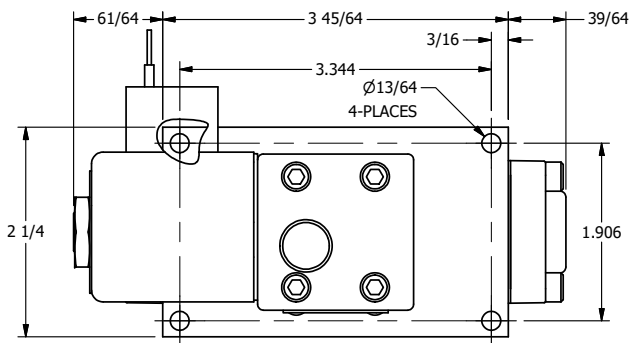
2

1

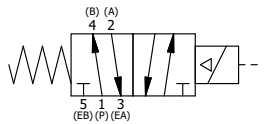


1/2" NPT CONDUIT CONNECTION

1/8" NPTF EXTERNAL PILOT



1/4" NPTF PORTS 5-PLACES



AAA
PRODUCTS
INTERNATIONAL

AAA PRODUCTS INTERNATIONAL
7114 Harry Hines Blvd
Dallas, TX 75235

TITLE: 1/4" SIDE PORT, SNGL SOL, 2 POS,
SPRING RTRN, CLASSIC SOL,
LCKNG OVRD, EXT PILOT

DRAWING NO.:
DIM_SO20Z

THE INFORMATION CONTAINED WITHIN THIS DOCUMENT IS PROPRIETARY TO AAA PRODUCTS AND MAY NOT BE DISCLOSED WITHOUT PRIOR WRITTEN CONSENT

4

3

2

1

B

B

A

A