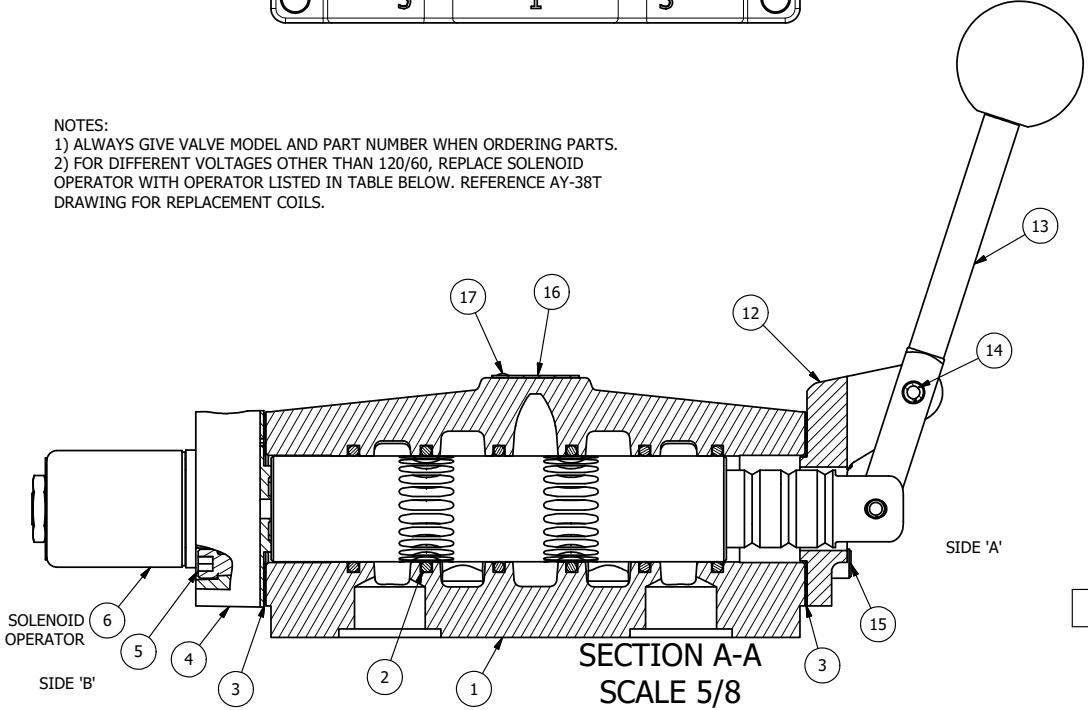


ALIGN PILOT AND HOLE IN GASKET, SIDE 'B' ONLY FOR EXTERNAL PILOT OPERATION - ROTATE THE ROUND ALUMINUM ADAPTOR 90 OR 180 DEGREES. REMOVE 1/8" NPTF PLUG AND SUPPLY 50-160 PSI TO 1/8" NPTF PILOT PORT IN ADAPTOR.

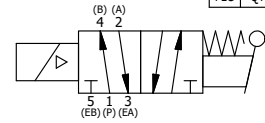
POSITION GASKET ON END OF VALVE SO GASKET COVERS PILOT HOLE SIDE 'A' ONLY

NOTES:
 1) ALWAYS GIVE VALVE MODEL AND PART NUMBER WHEN ORDERING PARTS.
 2) FOR DIFFERENT VOLTAGES OTHER THAN 120/60, REPLACE SOLENOID OPERATOR WITH OPERATOR LISTED IN TABLE BELOW. REFERENCE AY-38T DRAWING FOR REPLACEMENT COILS.

17	2	V-212	SCREW, #2 X 3/16 DRIVE, TYPE U, OVAL HEAD, STAINLESS STEEL
16	1	AN-114	NAMEPLATE, BLANK, FOR VALVES WITH SPRINGS OR DETENTS
15	4	V-46	SCREW, 1/4-20 X 3/4, SOCKET HEAD CAP
14	1	V-70	PIN, ROLL 1/4 X 1 1/8 FOR 3/4 & 1" HAND AND FOOT VALVES
13	1	HL8-9	HAND LEVER ASSEMBLY, 3/4" & 1" VALVE
12	1	FEB	END CAP, HAND & FOOT, STEEL, NICKEL PLATE, 3/4" & 1" VALVES
11	1	V-19	PLUG, SOCKET PIPE 1/8" NPT, 7/8 TAPER, FLUSH SEAL
10	1	POP-3	OVERRIDE, PUSH PIN, 303 STAINLESS, 1/4" & 3/8" VALVE
9	1	OS3	SPRING - MANUAL OVERRIDE, "CLASSIC" SOLENOID
8	1	V-81	SCREW, 8-32 X 5/16, SOCKET SET, FULL DOG POINT
7	1	V-85	O-RING, BUNA-N, 70 DURO, AS-010, (REF 1/4 X 3/8 X 1/16), CLASSIC OVRD
6	1	AY-38T-11	CLASSIC SOLENOID - STANDARD, COMPLETE OPER, TAPPED EXH., 120/60
5	4	V-47	SCREW, 1/4-20 X 1, SOCKET HEAD CAP
4	1	AY-SAH8OP	ASSY - RTRN TO POS A, CLASSIC SOL W/LEVER OVRD, PUSH OVRD, 3/4" & 1" VALVE
3	2	ECG48	GASKET - END CAP, 1/2", 3/4" & 1" VALVE
2	6	V-30	O-RING, BUNA-N, 70 DURO, AS-220, (REF 1-3/8 X 1-5/8 X 1/8), 3/4" & 1" VALVES
1	1	BP8-1	BODY, 1" SUBPLATE, UPPER PILOTS, ANODIZED
FLG	QTY	PART NO	DESCRIPTION



SECTION A-A
 SCALE 5/8
 VIEW FROM 3 PORT SIDE



OPERATOR VOLTAGES	
PART NO	REPLACE OPERATOR
SAH8POPT 12VDC	AY-38T-5
SAH8POPT 24VDC	AY-38T-8
SAH8POPT 240/60	AY-38T-17

LIMITS ON DIMENSIONS UNLESS OTHERWISE SPECIFIED 2-PL DECIMAL ± .01 3-PL DECIMAL ± .005 FRACTIONAL ± 1/64 ANGULAR ± 1/2°	AAA PRODUCTS INTERNATIONAL 7114 Harry Hines Blvd Dallas, TX 75235		
DRAWN: RMckenna	DATE: 5/15/2021	CHECKED: KWaite	DATE: 5/15/2021
SCALE: 3/4	SHEET: 1 OF 1	RELEASED: HWomack	DATE: 5/15/2021
TITLE: 1" SUBPLATE, SNGL SOL, 2 POS, SPR RTRN, CLASSIC, 120/60, PUSH OVRD, TPD VENT, LVR AST		PART NO.:	SAH8POPT
THE INFORMATION CONTAINED WITHIN THIS DOCUMENT IS PROPRIETARY TO AAA PRODUCTS AND MAY NOT BE DISCLOSED WITHOUT PRIOR WRITTEN CONSENT		REV.:	

P:\Engineering\Products\Valves Assembly\Classic\SAH8POPT.DWG SAH8POPT.rvt