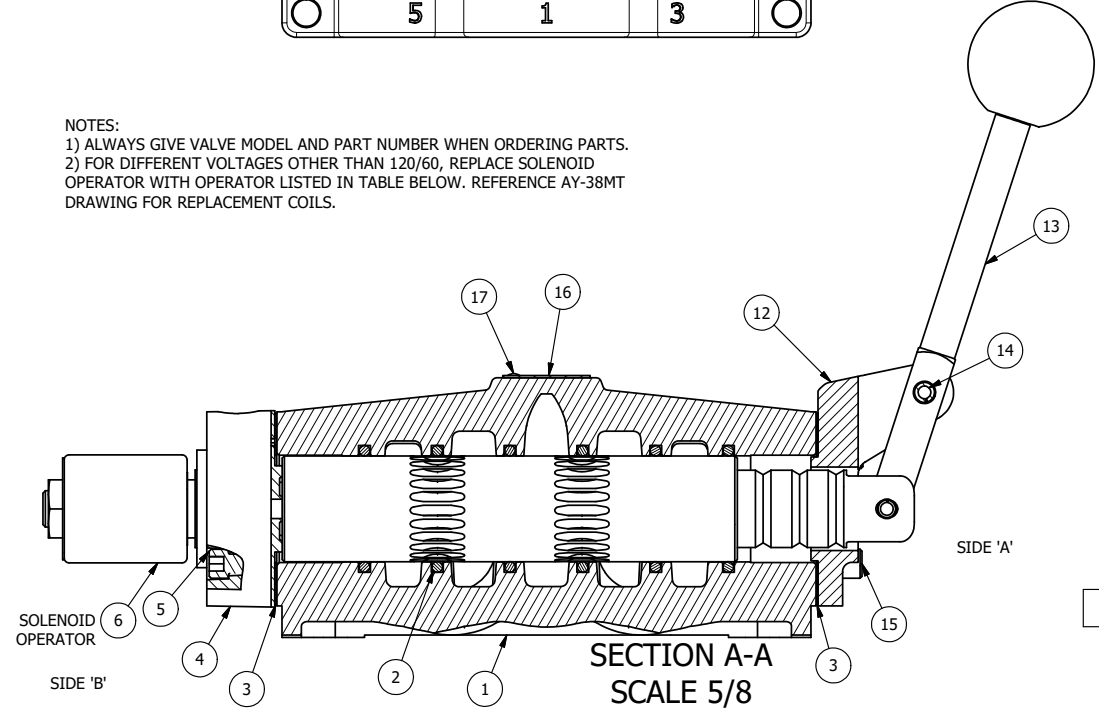


ALIGN PILOT AND HOLE IN GASKET, SIDE 'B' ONLY FOR EXTERNAL PILOT OPERATION - ROTATE THE ROUND ALUMINUM ADAPTOR 90 OR 180 DEGREES. REMOVE 1/8" NPTF PLUG AND SUPPLY 50-160 PSI TO 1/8" NPTF PILOT PORT IN ADAPTOR.

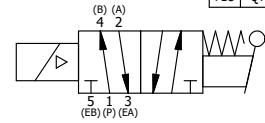
POSITION GASKET ON END OF VALVE SO GASKET COVERS PILOT HOLE SIDE 'A' ONLY

NOTES:
 1) ALWAYS GIVE VALVE MODEL AND PART NUMBER WHEN ORDERING PARTS.
 2) FOR DIFFERENT VOLTAGES OTHER THAN 120/60, REPLACE SOLENOID OPERATOR WITH OPERATOR LISTED IN TABLE BELOW. REFERENCE AY-38MT DRAWING FOR REPLACEMENT COILS.

| | | | |
|-----|-----|------------|--|
| 17 | 2 | V-212 | SCREW, #2 X 3/16 DRIVE, TYPE U, OVAL HEAD, STAINLESS STEEL |
| 16 | 1 | AN-114 | NAMEPLATE, BLANK, FOR VALVES WITH SPRINGS OR DETENTS |
| 15 | 4 | V-46 | SCREW, 1/4-20 X 3/4, SOCKET HEAD CAP |
| 14 | 1 | V-70 | PIN, ROLL 1/4 X 1 1/8 FOR 3/4 & 1" HAND AND FOOT VALVES |
| 13 | 1 | HL8-9 | HAND LEVER ASSEMBLY, 3/4" & 1" VALVE |
| 12 | 1 | FEB | END CAP, HAND & FOOT, STEEL, NICKEL PLATE, 3/4" & 1" VALVES |
| 11 | 1 | V-19 | PLUG, SOCKET PIPE 1/8" NPT (#601-3 PITTSBURG PLUG PART #.) |
| 10 | 1 | OS3 | SPRING - MANUAL OVERRIDE, "CLASSIC" SOLENOID |
| 9 | 1 | OP4 | PIN, MANUAL OVERRIDE, 1/2", 3/4" & 1" VALVES |
| 8 | 1 | V-81 | SCREW, 8-32 X 5/16, SOCKET SET, FULL DOG POINT |
| 7 | 2 | V-85 | O-RING, BUNA-N, 70 DURO, AS-010, (REF 1/4 X 3/8 X 1/16), CLASSIC OVRD |
| 6 | 1 | AY-38MT-11 | CLASSIC SOLENOID - 1/2" NPT CONDUIT, 120/60, TAPPED EXH |
| 5 | 4 | V-47 | SCREW, 1/4-20 X 1, SOCKET HEAD CAP |
| 4 | 1 | AY-SAH80 | ASSY - RTRN TO POS A, CLASSIC SOL W/LEVER OVRD, LCKNG OVRD, 3/4" & 1" VALVE |
| 3 | 2 | ECG48 | GASKET - END CAP, 1/2", 3/4" & 1" VALVE |
| 2 | 6 | V-30 | O-RING, BUNA-N, 70 DURO, AS-220, (REF 1-3/8 X 1-5/8 X 1/8), 3/4" & 1" VALVES |
| 1 | 1 | B8-1 | BODY, 1" SIDE PORT, UPPER PILOTS, ANODIZED |
| FLG | QTY | PART NO | DESCRIPTION |



SECTION A-A
 SCALE 5/8
 VIEW FROM 3 PORT SIDE



| OPERATOR VOLTAGES | |
|-------------------|------------------|
| PART NO | REPLACE OPERATOR |
| SAH8MOT 12VDC | AY-38MT-5 |
| SAH8MOT 24VDC | AY-38MT-8 |
| SAH8MOT 240/60 | AY-38MT-17 |

| | | | | |
|---|----------------|--|-----------------------------|--|
| LIMITS ON DIMENSIONS UNLESS OTHERWISE SPECIFIED | | 2-PL DECIMAL ± .01 3-PL DECIMAL ± .005 FRACTIONAL ± 1/64 ANGULAR ± 1/2° | | AAA PRODUCTS INTERNATIONAL 7114 Harry Hines Blvd Dallas, TX 75235 |
| DRAWN: RMckenna | DATE: 4/2/2020 | CHECKED: KWaite | DATE: 4/2/2020 | |
| SCALE: 3/4 | SHEET: 1 OF 1 | RELEASED: HWomack | DATE: 4/2/2020 | |
| TITLE: 1" SIDE PORT, SNGL SOL, 2 POS, SPR RTN, LVR AST, MOLD-OVR, 120/60, LCKNG OVRD, TAPPED VENT | | | PART NO.: SAH8MOT | REV.: |

THE INFORMATION CONTAINED WITHIN THIS DOCUMENT IS PROPRIETARY TO AAA PRODUCTS AND MAY NOT BE DISCLOSED WITHOUT PRIOR WRITTEN CONSENT

P:\Engineering\product\Valve Assemblies\Classic\SAP\DWG\SAH8MOT.dwg