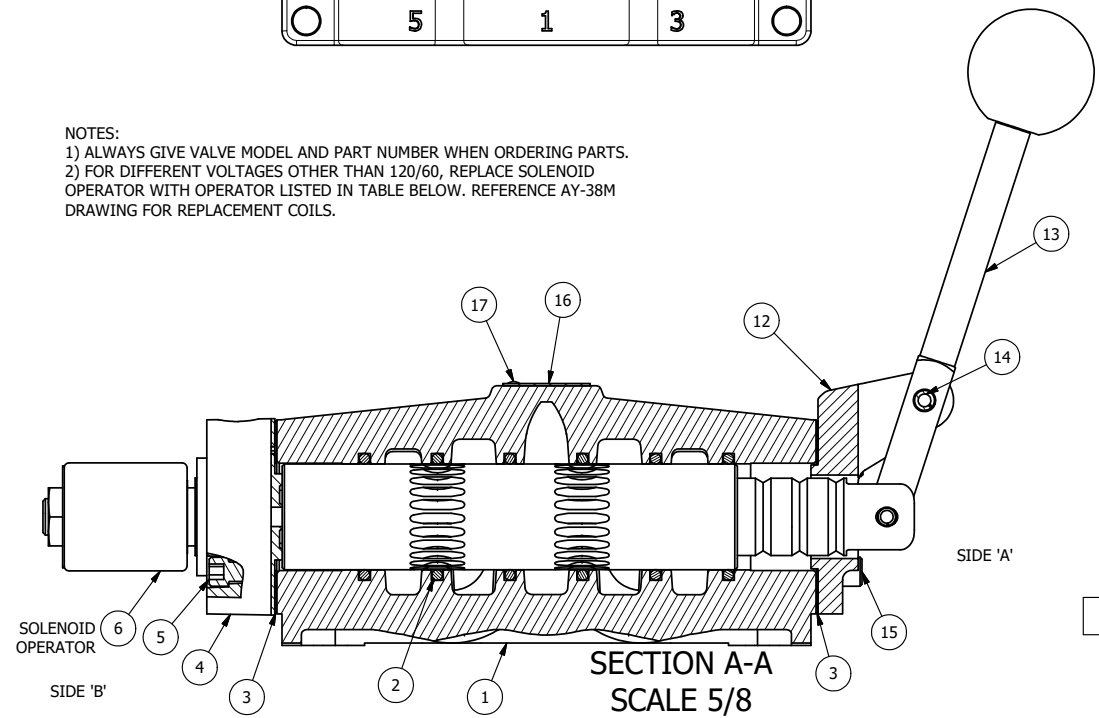


ALIGN PILOT AND HOLE IN GASKET, SIDE 'B' ONLY FOR EXTERNAL PILOT OPERATION - ROTATE THE ROUND ALUMINUM ADAPTOR 90 OR 180 DEGREES. REMOVE 1/8" NPTF PLUG AND SUPPLY 50-160 PSI TO 1/8" NPTF PILOT PORT IN ADAPTOR.

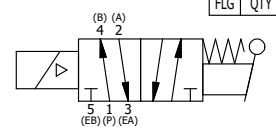
POSITION GASKET ON END OF VALVE SO GASKET COVERS PILOT HOLE SIDE 'A' ONLY

NOTES:
 1) ALWAYS GIVE VALVE MODEL AND PART NUMBER WHEN ORDERING PARTS.
 2) FOR DIFFERENT VOLTAGES OTHER THAN 120/60, REPLACE SOLENOID OPERATOR WITH OPERATOR LISTED IN TABLE BELOW. REFERENCE AY-38M DRAWING FOR REPLACEMENT COILS.



SECTION A-A
 SCALE 5/8
 VIEW FROM 3 PORT SIDE

17	2	V-212	SCREW, #2 X 3/16 DRIVE, TYPE U, OVAL HEAD, STAINLESS STEEL
16	1	AN-114	NAMEPLATE, BLANK, FOR VALVES WITH SPRINGS OR DETENTS
15	4	V-46	SCREW, 1/4-20 X 3/4, SOCKET HEAD CAP
14	1	V-70	PIN, ROLL 1/4 X 1 1/8 FOR 3/4 & 1" HAND AND FOOT VALVES
13	1	HL8-9	HAND LEVER ASSEMBLY, 3/4" & 1" VALVE
12	1	FEB	END CAP, HAND & FOOT, STEEL, NICKEL PLATE, 3/4" & 1" VALVES
11	1	V-19	PLUG, SOCKET PIPE 1/8" NPT (#601-3 PITTSBURG PLUG PART #.)
10	1	OS3	SPRING - MANUAL OVERRIDE, "CLASSIC" SOLENOID
9	1	OP4	PIN, MANUAL OVERRIDE, 1/2", 3/4" & 1" VALVES
8	1	V-81	SCREW, 8-32 X 5/16, SOCKET SET, FULL DOG POINT
7	2	V-85	O-RING, BUNA-N, 70 DURO, AS-010, (REF 1/4 X 3/8 X 1/16), CLASSIC OVRD
6	1	AY-38M-11	CLASSIC SOLENOID - 1/2" NPT CONDUIT, 120/60
5	4	V-47	SCREW, 1/4-20 X 1, SOCKET HEAD CAP
4	1	AY-SAH80	ASSY - RTRN TO POS A, CLASSIC SOL W/LEVER OVRD, LCKNG OVRD, 3/4" & 1" VALVE
3	2	ECG48	GASKET - END CAP, 1/2", 3/4" & 1" VALVE
2	6	V-30	O-RING, BUNA-N, 70 DURO, AS-220, (REF 1-3/8 X 1-5/8 X 1/8), 3/4" & 1" VALVES
1	1	B6-1	BODY, 3/4" SIDE PORT, UPPER PILOTS, ANODIZED
FLG	QTY	PART NO	DESCRIPTION



OPERATOR VOLTAGES	
PART NO	REPLACE OPERATOR
SAH6MO 12VDC	AY-38M-5
SAH6MO 24VDC	AY-38M-8
SAH6MO 240/60	AY-38M-17

LIMITS ON DIMENSIONS UNLESS OTHERWISE SPECIFIED		2-PL DECIMAL ± .01 3-PL DECIMAL ± .005 FRACTIONAL ± 1/64 ANGULAR ± 1/2°		AAA PRODUCTS INTERNATIONAL 7114 Harry Hines Blvd Dallas, TX 75235
DRAWN: RMckenna	DATE: 11/15/2017	CHECKED: KWaite	DATE: 11/15/2017	
SCALE: 3/4	SHEET: 1 OF 1	RELEASED: HWomack	DATE: 11/15/2017	
TITLE: 3/4" SIDE PORT, SNGL SOL, 2 POS, SPR RTRN, SOL SHFT, LEVER ASSIST, MOLD-OVER, 120/60, LCKNG OVRD			PART NO.: SAH6MO	REV.:

THE INFORMATION CONTAINED WITHIN THIS DOCUMENT IS PROPRIETARY TO AAA PRODUCTS AND MAY NOT BE DISCLOSED WITHOUT PRIOR WRITTEN CONSENT

P:\Engineering\product\Valve Assembly\Classic\SAP\DWG\SAH6MO.dwg