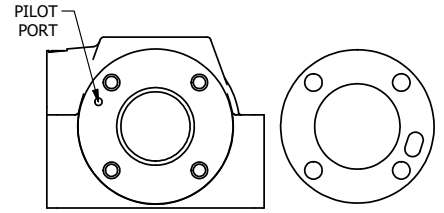
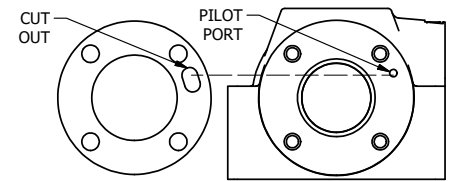


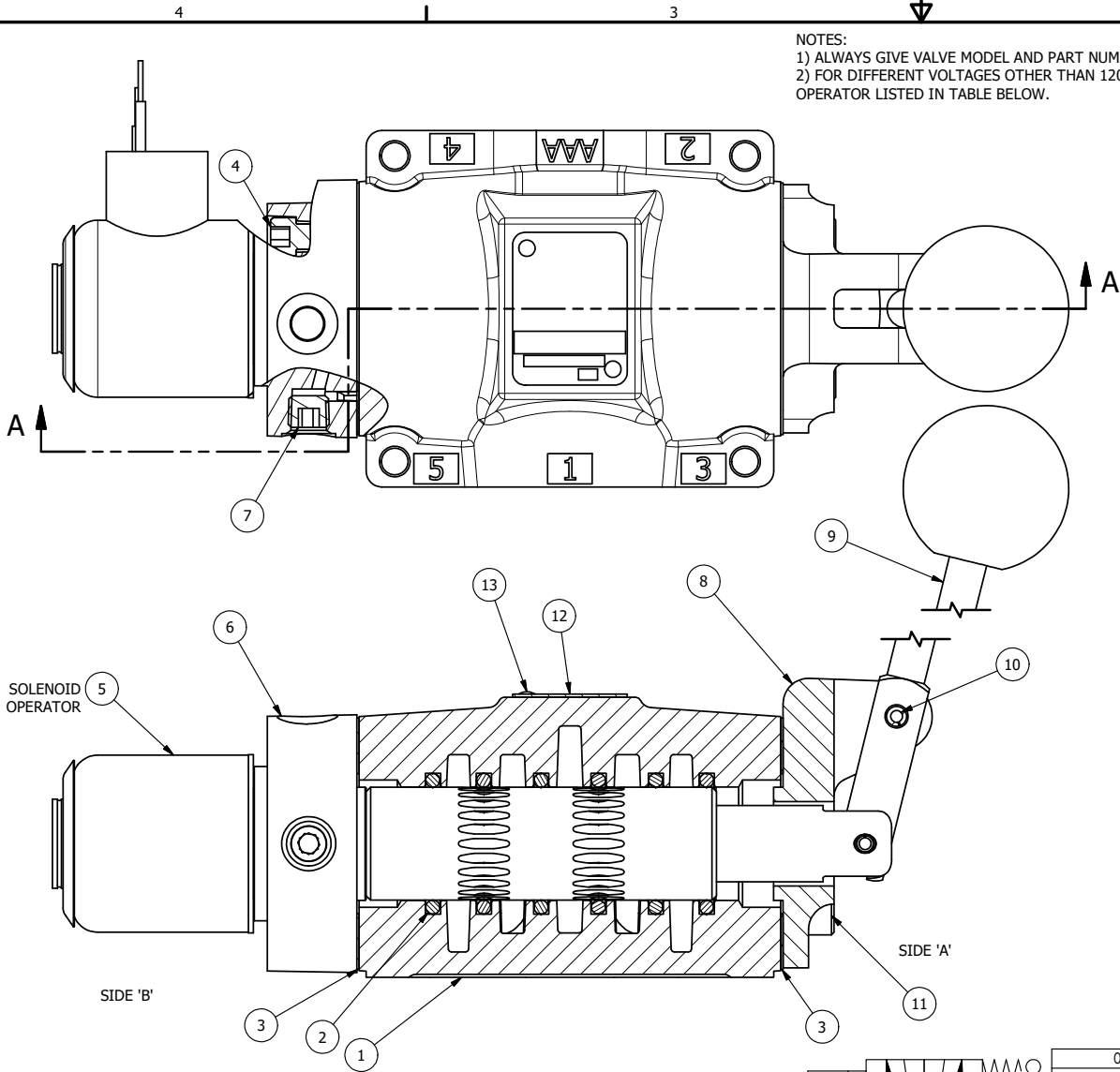
NOTES:  
 1) ALWAYS GIVE VALVE MODEL AND PART NUMBER WHEN ORDERING PARTS.  
 2) FOR DIFFERENT VOLTAGES OTHER THAN 120/60, REPLACE SOLENOID OPERATOR WITH OPERATOR LISTED IN TABLE BELOW.



POSITION GASKET TO SEAL PILOT HOLE ON SIDE 'A' AS SHOWN



ALIGN PILOT HOLE AND GASKET CUT OUT, SIDE 'B' ONLY.  
 FOR EXTERNAL PILOT OPERATION - ROTATE THE ROUND ALUMINUM ADAPTOR 90 OR 180 DEGREES. REMOVE 1/8" NPTF PLUG AND SUPPLY 50-160 PSI TO 1/8" NPTF PILOT PORT IN ADAPTOR.



SECTION AT CENTERLINE  
 VIEW FROM 3 PORT SIDE

13	2	V-212	SCREW, #2 X 3/16 DRIVE, TYPE U, OVAL HEAD, STAINLESS STEEL
12	1	AN-114	NAMEPLATE, BLANK, FOR VALVES WITH SPRINGS OR DETENTS
11	4	V-46	SCREW, 1/4-20 X 3/4, SOCKET HEAD CAP
10	1	V-10	PIN, ROLL 3/16 X 7/8, STEEL
9	1	HL4-9	HAND LEVER ASSEMBLY, 1/2" VALVE
8	1	FE4-1	END CAP - HAND & FOOT, 380 AL, 1/2" VALVE
7	1	V-19	PLUG, SOCKET PIPE 1/8" NPT, 7/8 TAPER, FLUSH SEAL
6	1	AY-SAH4	ASSY - NO DETENT, RTRN TO POS A, CLASSIC SOL W/LEVER OVRD 1/2" VALVES
5	1	AY-38X-11	CLASSIC SOLENOID - EXPLOSION PROOF, 120/60VAC, 38.5VDC, 110/50VAC
4	4	V-47	SCREW, 1/4-20 X 1, SOCKET HEAD CAP
3	2	ECG48	GASKET - END CAP, 1/2", 3/4" & 1" VALVE
2	6	V-6	O-RING, BUNA-N, 70 DURO, AS-216, (REF 1-1/8 X 1-3/8 X 1/8), 1/2" VALVES, 1" SUBPLATE
1	1	B4-1	BODY, 1/2" SIDE PORT, UPPER PILOTS, ANODIZED
FLG	QTY	PART NO	DESCRIPTION

LIMITS ON DIMENSIONS UNLESS OTHERWISE SPECIFIED		2-PL DECIMAL ± .01 3-PL DECIMAL ± .005 FRACTIONAL ± 1/64 ANGULAR ± 1/2°		<b>AAA PRODUCTS INTERNATIONAL</b> 7114 Harry Hines Blvd Dallas, TX 75235
DRAWN: RMckenna	DATE: 8/14/2017	CHECKED: KWaite	DATE: 8/14/2017	
SCALE: 1 : 1	SHEET: 1 OF 1	RELEASED: HWomack	DATE: 8/14/2017	
TITLE: <b>1/2" SIDE PORT, SNGL SOL, 2 POS, SPR RTRN, SOL SHFT, LEVER ASSIST, EXPL PROOF, 120/60</b>			PART NO.:	SAH4X
			REV.:	

OPERATOR VOLTAGES	
PART NO	REPLACE OPERATOR
SAH4X 240/60	AY-38X-17
SAH4X 24VDC	AY-38X-8
SAH4X 12VDC	AY-38X-5

THE INFORMATION CONTAINED WITHIN THIS DOCUMENT IS PROPRIETARY TO AAA PRODUCTS AND MAY NOT BE DISCLOSED WITHOUT PRIOR WRITTEN CONSENT