

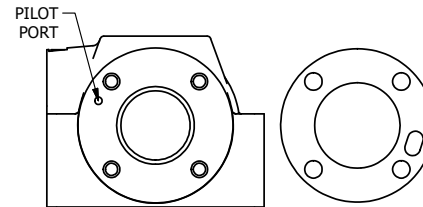
4

3

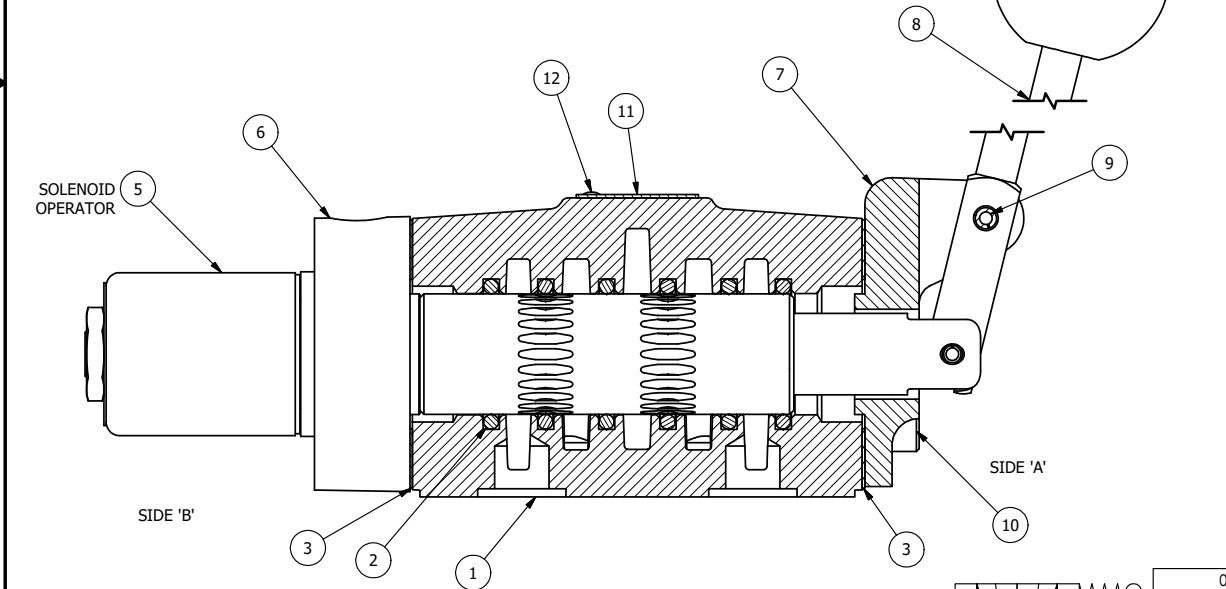
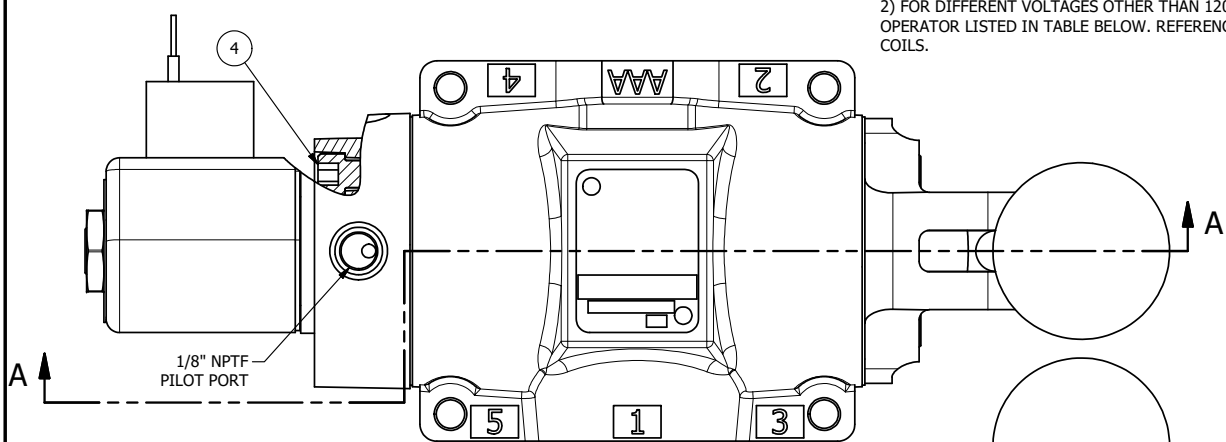
2

1

NOTES:  
 1) ALWAYS GIVE VALVE MODEL AND PART NUMBER WHEN ORDERING PARTS.  
 2) FOR DIFFERENT VOLTAGES OTHER THAN 120/60, REPLACE SOLENOID OPERATOR WITH OPERATOR LISTED IN TABLE BELOW. REFERENCE AY-38 DRAWING FOR REPLACEMENT COILS.



POSITION GASKET TO SEAL PILOT HOLE ON BOTH SIDES ('A' SHOWN)



SECTION AT CENTERLINE  
 VIEW FROM 3 PORT SIDE

13	1	SPK-4	KIT - SUBPLATE MOUNT, 1/2" SUBPLATE VALVES
12	2	V-212	SCREW, #2 X 3/16 DRIVE, TYPE U, OVAL HEAD, STAINLESS STEEL
11	1	AN-114	NAMEPLATE, BLANK, FOR VALVES WITH SPRINGS OR DETENTS
10	4	V-46	SCREW, 1/4-20 X 3/4, SOCKET HEAD CAP
9	1	V-10	PIN, ROLL 3/16 X 7/8, STEEL
8	1	HL4-9	HAND LEVER ASSEMBLY, 1/2" VALVE
7	1	FE4-1	END CAP - HAND & FOOT, 380 AL, 1/2" VALVE
6	1	AY-SAH4	ASSY - NO DETENT, RTRN TO POS A, CLASSIC SOL W/LEVER OVRD 1/2" VALVES
5	1	AY-38-11	CLASSIC SOLENOID - STANDARD, COMPLETE OPERATOR, 120/60
4	4	V-47	SCREW, 1/4-20 X 1, SOCKET HEAD CAP
3	2	ECG48	GASKET - END CAP, 1/2", 3/4" & 1" VALVE
2	6	V-6	O-RING, BUNA-N, 70 DURO, AS-216, (REF 1-1/8 X 1-3/8 X 1/8), 1/2" VALVES, 1" SUBPLATE
1	1	BP4-1	BODY, 1/2" SUBPLATE, UPPER PILOTS, ANODIZED
FLG	QTY	PART NO	DESCRIPTION

LIMITS ON DIMENSIONS UNLESS OTHERWISE SPECIFIED	2-PL DECIMAL ± .01	<b>AAA PRODUCTS INTERNATIONAL</b> 7114 Harry Hines Blvd Dallas, TX 75235	
	3-PL DECIMAL ± .005		
	FRACTIONAL ± 1/64		
	ANGULAR ± 1/2°		
DRAWN: RMckenna	DATE: 11/17/2017	CHECKED: KWaite	DATE: 11/17/2017
SCALE: 1 : 1	SHEET: 1 OF 1	RELEASED: HWomack	DATE: 11/17/2017
TITLE: <b>1/2" SUBPLATE, SNGL SOL, 2 POS,          SPR RTRN, SOL SHFT, LEVER ASSIST,          CLASSIC SOL, 120/60, EXT PILOT</b>		PART NO.:	REV.:
		<b>SAH4PZ</b>	

OPERATOR VOLTAGES	
PART NO	REPLACE OPERATOR
SAH4PZ 12VDC	AY-38-5
SAH4PZ 24VDC	AY-38-8
SAH4PZ 240/60	AY-38-17

THE INFORMATION CONTAINED WITHIN THIS DOCUMENT IS PROPRIETARY TO AAA PRODUCTS AND MAY NOT BE DISCLOSED WITHOUT PRIOR WRITTEN CONSENT

D:\Engineering\product\Valve Assembly\Classic\SAS\DWG\SAH4PZ.dwg