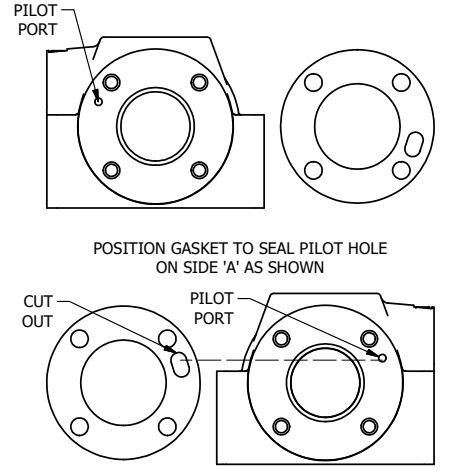


NOTES:  
 1) ALWAYS GIVE VALVE MODEL AND PART NUMBER WHEN ORDERING PARTS.  
 2) FOR DIFFERENT VOLTAGES OTHER THAN 120/60, REPLACE SOLENOID OPERATOR WITH OPERATOR LISTED IN TABLE BELOW. REFERENCE AY-38 DRAWING FOR REPLACEMENT COILS.



ALIGN PILOT HOLE AND GASKET CUT OUT, SIDE 'B' ONLY.  
 FOR EXTERNAL PILOT OPERATION - ROTATE THE ROUND ALUMINUM ADAPTOR 90 OR 180 DEGREES. REMOVE 1/8" NPTF PLUG AND SUPPLY 50-160 PSI TO 1/8" NPTF PILOT PORT IN ADAPTOR.

14	1	SPK-4	KIT - SUBPLATE MOUNT, 1/2" SUBPLATE VALVES
13	2	V-212	SCREW, #2 X 3/16 DRIVE, TYPE U, OVAL HEAD, STAINLESS STEEL
12	1	AN-114	NAMEPLATE, BLANK, FOR VALVES WITH SPRINGS OR DETENTS
11	4	V-46	SCREW, 1/4-20 X 3/4, SOCKET HEAD CAP
10	1	V-10	PIN, ROLL 3/16 X 7/8, STEEL
9	1	HL4-9	HAND LEVER ASSEMBLY, 1/2" VALVE
8	1	FE4-1	END CAP - HAND & FOOT, 380 AL, 1/2" VALVE
7	1	V-19	PLUG, SOCKET PIPE 1/8" NPT (#601-3 PITTSBURG PLUG PART #.)
6	1	AY-SAH4	ASSY - NO DETENT, RTRN TO POS A, CLASSIC SOL W/LEVER OVRD 1/2" VALVES
5	1	AY-38-11	CLASSIC SOLENOID - STANDARD, COMPLETE OPERATOR, 120/60
4	4	V-47	SCREW, 1/4-20 X 1, SOCKET HEAD CAP
3	2	ECG48	GASKET - END CAP, 1/2", 3/4" & 1" VALVE
2	6	V-6	O-RING, BUNA-N, 70 DURO, AS-216, (REF 1-1/8 X 1-3/8 X 1/8), 1/2" VALVES, 1" SUBPLATE
1	1	BP4-1	BODY, 1/2" SUBPLATE, UPPER PILOTS, ANODIZED
FLG	QTY	PART NO	DESCRIPTION

LIMITS ON DIMENSIONS  
 UNLESS OTHERWISE SPECIFIED  
 2-PL DECIMAL ± .01  
 3-PL DECIMAL ± .005  
 FRACTIONAL ± 1/64  
 ANGULAR ± 1/2°

**AAA PRODUCTS INTERNATIONAL**  
 PRODUCTS INTERNATIONAL  
 7114 Harry Hines Blvd  
 Dallas, TX 75235

DRAWN: RMckenna DATE: 6/4/2015 CHECKED: KWaite DATE: 6/4/2015  
 SCALE: 1 : 1 SHEET: 1 OF 1 RELEASED: HWomack DATE: 6/4/2015

OPERATOR VOLTAGES	
PART NO	REPLACE OPERATOR
SAH4P 240/60	AY-38-17
SAH4P 24VDC	AY-38-8
SAH4P 12VDC	AY-38-5

TITLE: 1/2" SUBPLATE, SNGL SOL, 2 POS, SPR RTRN, SOL SHFT, LEVER ASSIST, CLASSIC SOL, 120/60	PART NO.: SAH4P	REV.:
---	--------------------	-------

THE INFORMATION CONTAINED WITHIN THIS DOCUMENT IS PROPRIETARY TO AAA PRODUCTS AND MAY NOT BE DISCLOSED WITHOUT PRIOR WRITTEN CONSENT

D:\Engineering\product\Valve Assembly\Classic\SAS\DWG\SAH4P.dwg