

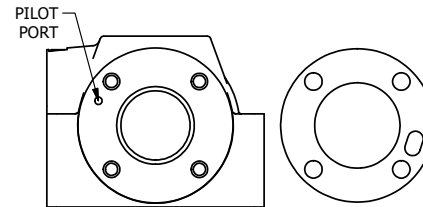
4

3

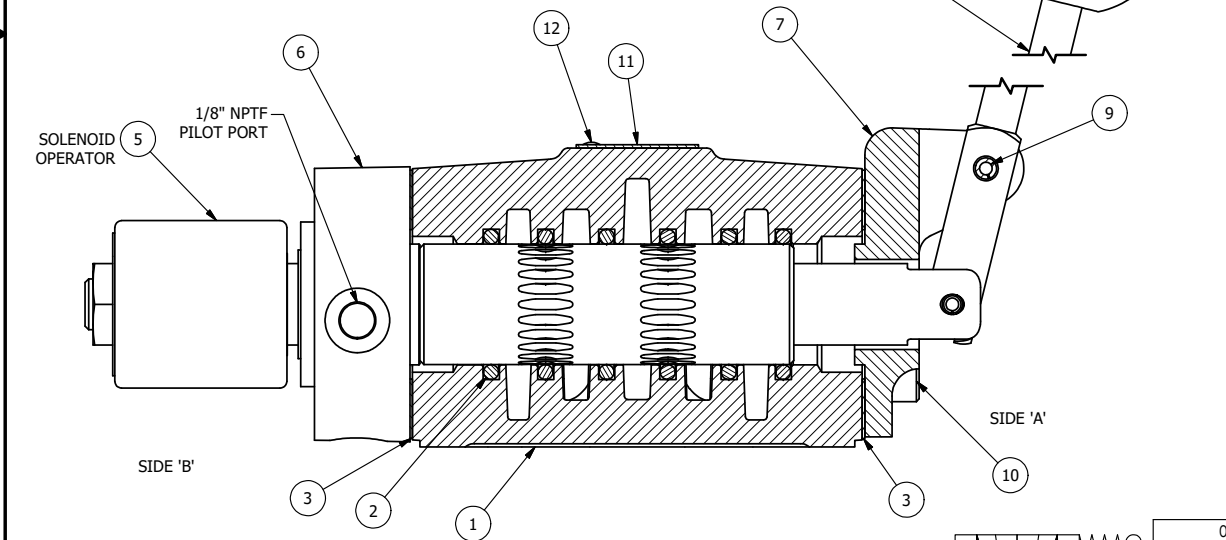
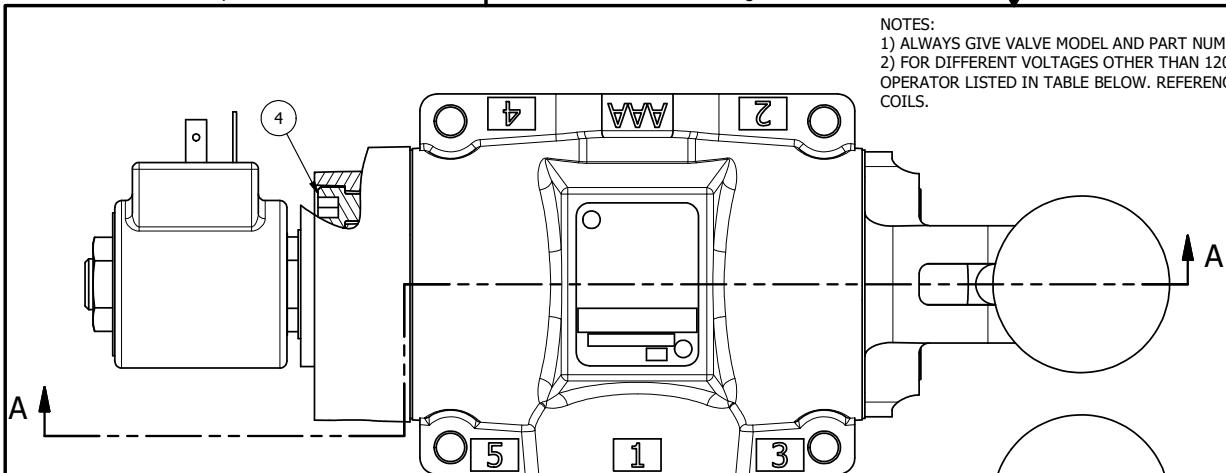
2

1

NOTES:
 1) ALWAYS GIVE VALVE MODEL AND PART NUMBER WHEN ORDERING PARTS.
 2) FOR DIFFERENT VOLTAGES OTHER THAN 120/60, REPLACE SOLENOID OPERATOR WITH OPERATOR LISTED IN TABLE BELOW. REFERENCE AY-38ED DRAWING FOR REPLACEMENT COILS.



POSITION GASKET TO SEAL PILOT HOLE ON BOTH SIDES ('A' SHOWN)



SECTION AT CENTERLINE
 VIEW FROM 3 PORT SIDE

FLG	QTY	PART NO	DESCRIPTION
12	2	V-212	SCREW, #2 X 3/16 DRIVE, TYPE U, OVAL HEAD, STAINLESS STEEL
11	1	AN-114	NAMEPLATE, BLANK, FOR VALVES WITH SPRINGS OR DETENTS
10	4	V-46	SCREW, 1/4-20 X 3/4, SOCKET HEAD CAP
9	1	V-10	PIN, ROLL 3/16 X 7/8, STEEL
8	1	HL4-9	HAND LEVER ASSEMBLY, 1/2" VALVE
7	1	FE4-1	END CAP - HAND & FOOT, 380 AL, 1/2" VALVE
6	1	AY-SAH4	ASSY - NO DETENT, RTRN TO POS A, CLASSIC SOL W/LEVER OVRD 1/2" VALVES
5	1	AY-38ED-11	CLASSIC SOLENOID - ISO 4400 DIN, 120/60
4	4	V-47	SCREW, 1/4-20 X 1, SOCKET HEAD CAP
3	2	ECG48	GASKET - END CAP, 1/2", 3/4" & 1" VALVE
2	6	V-6	O-RING, BUNA-N, 70 DURO, AS-216, (REF 1-1/8 X 1-3/8 X 1/8), 1/2" VALVES, 1" SUBPLATE
1	1	B4-1	BODY, 1/2" SIDE PORT, UPPER PILOTS, ANODIZED

LIMITS ON DIMENSIONS UNLESS OTHERWISE SPECIFIED		2-PL DECIMAL ± .01 3-PL DECIMAL ± .005 FRACTIONAL ± 1/64 ANGULAR ± 1/2°	AAA PRODUCTS INTERNATIONAL 7114 Harry Hines Blvd Dallas, TX 75235											
DRAWN: RMckenna	DATE: 11/21/2017	CHECKED: KWaite		DATE: 11/21/2017										
SCALE: 1 : 1	SHEET: 1 OF 1	RELEASED: HWomack	DATE: 11/21/2017											
<table border="1"> <thead> <tr> <th colspan="2">OPERATOR VOLTAGES</th> </tr> <tr> <th>PART NO</th> <th>REPLACE OPERATOR</th> </tr> </thead> <tbody> <tr> <td>SAH4EDZ 12VDC</td> <td>AY-38ED-5</td> </tr> <tr> <td>SAH4EDZ 24VDC</td> <td>AY-38ED-8</td> </tr> <tr> <td>SAH4EDZ 240/60</td> <td>AY-38ED-17</td> </tr> </tbody> </table>		OPERATOR VOLTAGES		PART NO	REPLACE OPERATOR	SAH4EDZ 12VDC	AY-38ED-5	SAH4EDZ 24VDC	AY-38ED-8	SAH4EDZ 240/60	AY-38ED-17	TITLE: 1/2" SIDE PORT, SNGL SOL, 2 POS, SPR RTRN, SOL SHFT, LEVER ASSIST, ISO 4400 DIN, 120/60, EXT PILOT	PART NO.: SAH4EDZ	REV.:
OPERATOR VOLTAGES														
PART NO	REPLACE OPERATOR													
SAH4EDZ 12VDC	AY-38ED-5													
SAH4EDZ 24VDC	AY-38ED-8													
SAH4EDZ 240/60	AY-38ED-17													

THE INFORMATION CONTAINED WITHIN THIS DOCUMENT IS PROPRIETARY TO AAA PRODUCTS AND MAY NOT BE DISCLOSED WITHOUT PRIOR WRITTEN CONSENT

D:\Engineering\product\Valve Assembly\Classic\SAP\DWG\SAH4EDZ.dwg