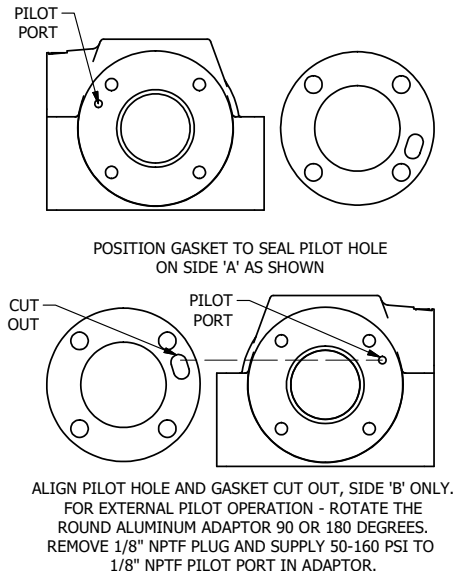


NOTES:
 1) ALWAYS GIVE VALVE MODEL AND PART NUMBER WHEN ORDERING PARTS.
 2) FOR DIFFERENT VOLTAGES OTHER THAN 120/60, REPLACE SOLENOID OPERATOR WITH OPERATOR LISTED IN TABLE BELOW. REFERENCE AY-38 DRAWING FOR REPLACEMENT COILS.



13	2	V-212	SCREW, #2 X 3/16 DRIVE, TYPE U, OVAL HEAD, 316 STAINLESS STEEL
12	1	AN-114	NAME PLATE, BLANK, FOR VALVES WITH SPRINGS OR DETENTS.
11	4	V-46	SCREW, 1/4-20 X 3/4 SHCS, HOLDS E.C TO 1/2-1" VALVES
10	1	V-10	PIN, ROLL 3/16 X 7/8 FOR 1/2" HAND AND FOOT VALVE
9	1	HL4-9	HAND LEVER ASSEMBLY, 1/2" VALVE
8	1	FE4-1	END CAP - HAND & FOOT, 380 AL, 1/2" VALVE
7	1	V-19	PLUG, SOCKET PIPE 1/8" NPT (#601-3 PITTSBURG PLUG PART #.)
6	1	AY-SAH4	SOLENOID AND HAND OPERATOR, SPOOL ASSEMBLY - 2 POS, 1/2" VALVES
5	1	AY-38-11	CLASSIC SOLENOID - STANDARD, COMPLETE OPERATOR, 120/60
4	4	V-47	SCREW, 1/4-20 X 1 SOCKET HEAD CAP HOLDS SOL.ADAPT.TO 1/2&1"V
3	2	ECG48	GASKET - END CAP, 1/2", 3/4" & 1" VALVE
2	6	V-6	O-RING, 1 1/8 X 1 3/8 X 1/8, BUNA-N, N100/70, 70D, ASS568A-216, 1/2" VALVES
1	1	B4-1	BODY, 1/2" SIDE PORT, UPPER PILOTS, ANODIZED
FLG	QTY	PART NO	DESCRIPTION

LIMITS ON DIMENSIONS UNLESS OTHERWISE SPECIFIED		2-PL DECIMAL ± .01 3-PL DECIMAL ± .005 FRACTIONAL ± 1/64 ANGULAR ± 1/2°		AAA PRODUCTS INTERNATIONAL 7114 Harry Hines Blvd Dallas, TX 75235								
DRAWN: RMckenna	DATE: 6/4/2015	CHECKED: KWaite	DATE: 6/4/2015									
SCALE: 1 : 1	SHEET: 1 OF 1	RELEASED: HWomack	DATE: 6/4/2015									
OPERATOR VOLTAGES <table border="1"> <tr> <th>PART NO</th> <th>REPLACE OPERATOR</th> </tr> <tr> <td>SAH4 240/60</td> <td>AY-38-17</td> </tr> <tr> <td>SAH4 24VDC</td> <td>AY-38-8</td> </tr> <tr> <td>SAH4 12VDC</td> <td>AY-38-5</td> </tr> </table>		PART NO	REPLACE OPERATOR	SAH4 240/60	AY-38-17	SAH4 24VDC	AY-38-8	SAH4 12VDC	AY-38-5	TITLE: 1/2" SIDE PORT, SNGL SOL, 2 POS, SPR RTRN, SOL SHFT, LEVER ASSIST, CLASSIC SOL, 120/60		PART NO.: SAH4
PART NO	REPLACE OPERATOR											
SAH4 240/60	AY-38-17											
SAH4 24VDC	AY-38-8											
SAH4 12VDC	AY-38-5											

THE INFORMATION CONTAINED WITHIN THIS DOCUMENT IS PROPRIETARY TO AAA PRODUCTS AND MAY NOT BE DISCLOSED WITHOUT PRIOR WRITTEN CONSENT