

4

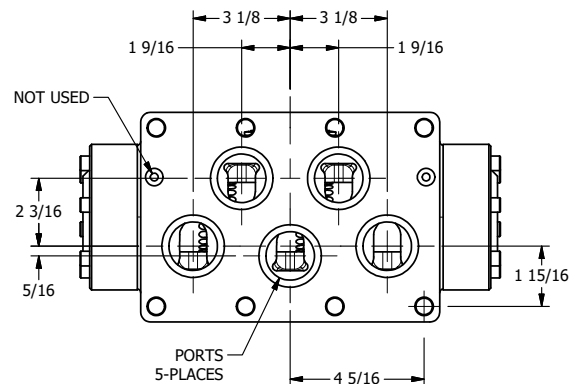
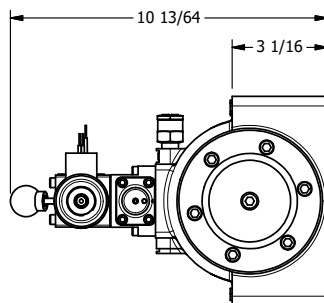
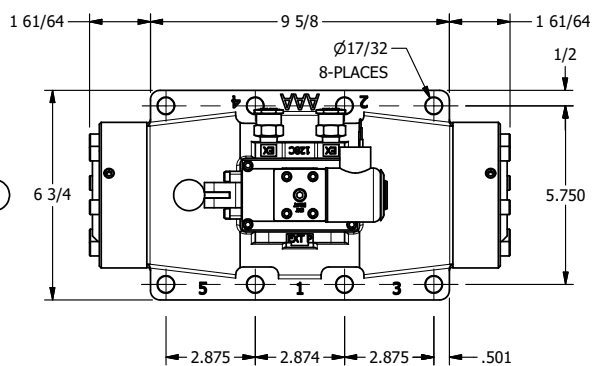
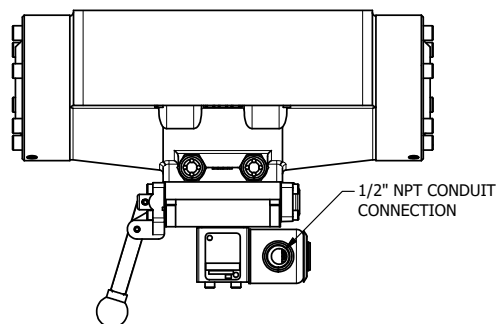
3

2

1

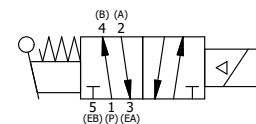
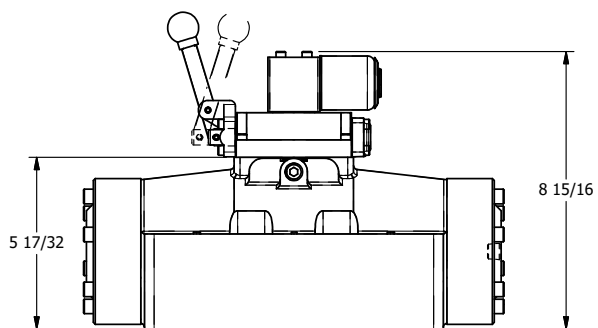
B

B



A

A



4

3

2

1

A

A



TITLE: 2" SUBPLATE, SNGL SOL, 2 POS,
SPR RTRN, SOL SHFT, LEVER ASSIST,
EXPL PROOF

DRAWING NO.:
DIM_SAH16PX

THE INFORMATION CONTAINED WITHIN THIS DOCUMENT IS PROPRIETARY TO AAA PRODUCTS AND MAY NOT BE DISCLOSED WITHOUT PRIOR WRITTEN CONSENT