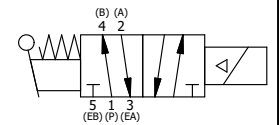
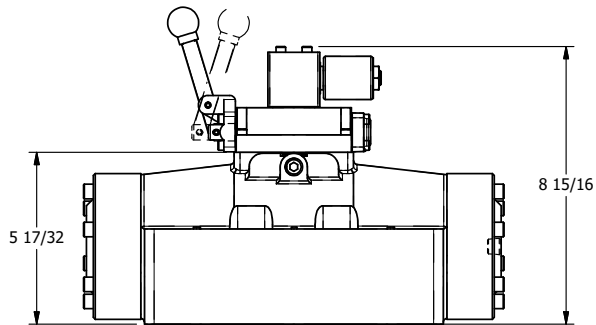
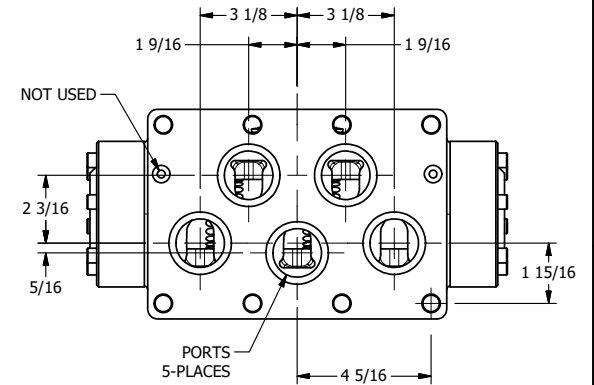
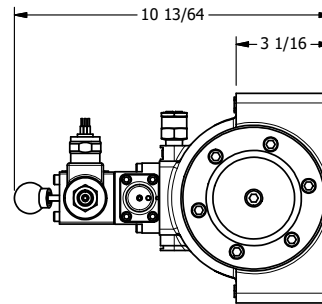
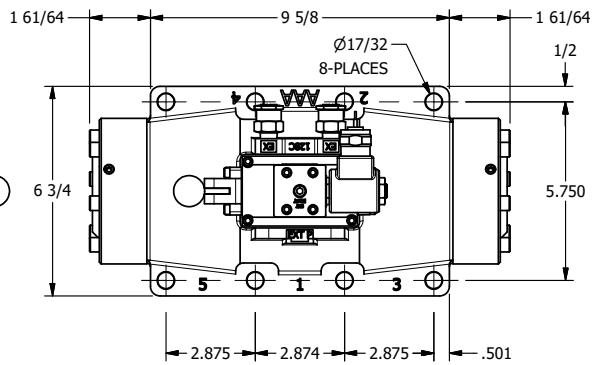
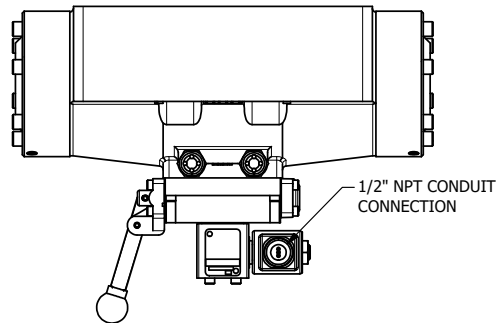


4

3

2

1



TITLE: 2" SUBPLATE, SNGL SOL, 2 POS,  
SPR RTRN, SOL SHFT, LEVER ASSIST,  
MOLD-OVER

DRAWING NO.:  
DIM\_SAH16PM

THE INFORMATION CONTAINED WITHIN THIS DOCUMENT IS PROPRIETARY TO AAA PRODUCTS AND MAY NOT BE DISCLOSED WITHOUT PRIOR WRITTEN CONSENT

4

3

2

1

B

B

A

A