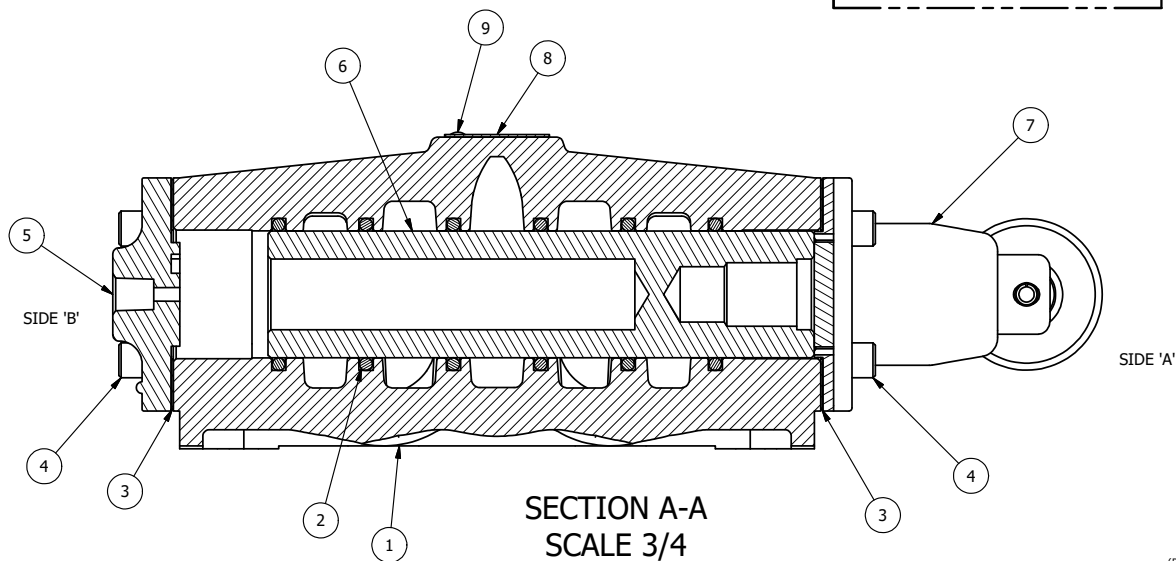


POSITION GASKET ON END OF VALVE SO
GASKET SEALS PILOT HOLE
BOTH SIDES (SIDE 'A' SHOWN)

NOTES:
1) ALWAYS GIVE VALVE MODEL AND PART NUMBER WHEN ORDERING PARTS.
2) SEE AY-C8 ASSEMBLY PRINT FOR CAM OPERATOR PARTS DETAIL.



SECTION A-A
SCALE 3/4
VIEW FROM 3 PORT SIDE

| FLG | QTY | PART NO | DESCRIPTION |
|-----|-----|---------|--|
| 9 | 2 | V-212 | SCREW, #2 X 3/16 DRIVE, TYPE U, OVAL HEAD, STAINLESS STEEL |
| 8 | 1 | AN-115 | BLANK NAMEPLATE FOR HE,KE,KD,RR,D,CR,PP,SR,SS VALVES. |
| 7 | 1 | AY-C8 | ASSY - CAM OPERATOR, 3/4" & 1" VALVES |
| 6 | 1 | S8 | SPOOL - STANDARD, 2 POS, CLSD CTR, 3/4" & 1" VALVE |
| 5 | 1 | PEC48 | END CAP, PILOT, 300 AL, 1/2", 3/4" & 1" VALVES |
| 4 | 8 | V-46 | SCREW, 1/4-20 X 3/4, SOCKET HEAD CAP |
| 3 | 2 | ECG48 | GASKET - END CAP, 1/2", 3/4" & 1" VALVE |
| 2 | 6 | V-30 | O-RING, BUNA-N, 70 DURO, AS-220, (REF 1-3/8 X 1-5/8 X 1/8), 3/4" & 1" VALVES |
| 1 | 1 | B8-1 | BODY, 1" SIDE PORT, UPPER PILOTS, ANODIZED |

LIMITS ON DIMENSIONS
UNLESS
OTHERWISE SPECIFIED

2-PL DECIMAL ± .01
3-PL DECIMAL ± .005
FRACTIONAL ± 1/64
ANGULAR ± 1/2°



DRAWN: RMckenna DATE: 7/18/2005

CHECKED: KWaite DATE: 3/25/2015

SCALE: 3/4 SHEET: 1 OF 1

RELEASED: HWomack DATE: 3/25/2015

TITLE:
1" SIDE PORT, CAM ROLLER, 2 POS,
FRICTION POS, PILOT RTRN

PART NO.:
CR8

REV.:

