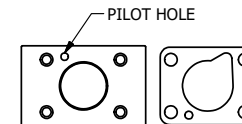
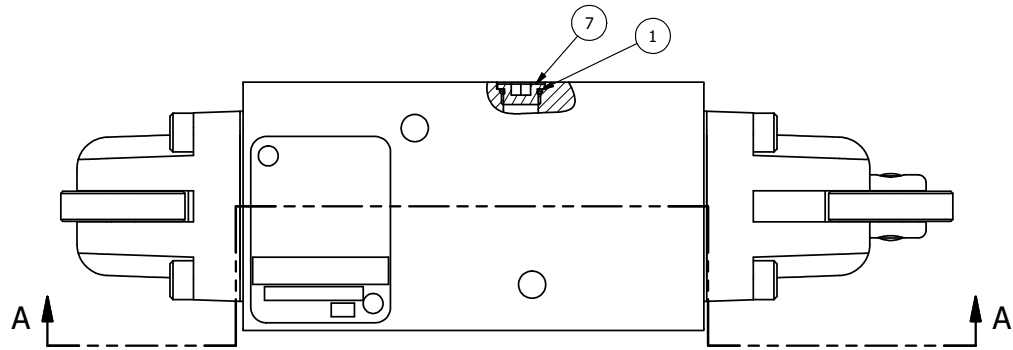
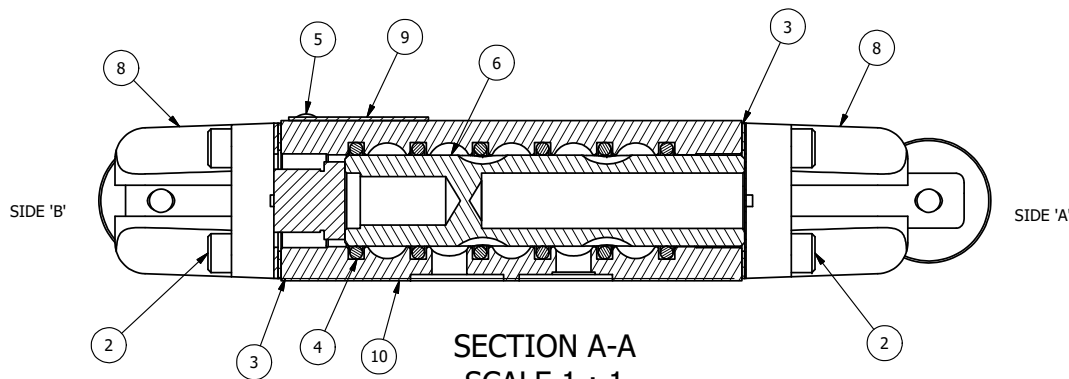


4 | 3 | 2 | 1



POSITION GASKET TO SEAL PILOT HOLE, BOTH ENDS (SIDE 'A' SHOWN)



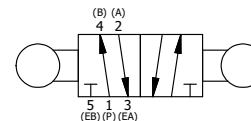
SECTION A-A
SCALE 1 : 1
VIEW FROM 3 PORT SIDE

NOTES:

- 1) ALWAYS GIVE VALVE MODEL AND PART NUMBER WHEN ORDERING PARTS.
- 2) SEE AY-C3 ASSEMBLY PRINT FOR CAM OPERATOR PARTS DETAIL.

FLG	QTY	PART NO	DESCRIPTION
11	1	NSPK-2	SUBPLATE MOUNTING KIT NAMUR (2 EA V-566 SCREW, 2 EA V-565 O-RING)
10	1	B2-11E-W	NAMUR INTERFACE, WITH 3/2 CONVERSION, 1/4" VALVE
9	1	AN-115	BLANK NAMEPLATE FOR HE,KE,KD,RR,D,CR,PP,SR,SS VALVES.
8	2	AY-C3	CAM OPERATOR ASSEMBLY, 1/4" & 3/8" VALVES
7	1	V-547	PLUG, 360 HALF HARD BRASS, NAMUR VALVE
6	1	S3	SPOOL - STANDARD, 2 POS, CLSD CTR, 1/4" & 3/8" VALVE
5	2	V-212	SCREW, #2 X 3/16 DRIVE, TYPE U, OVAL HEAD, STAINLESS STEEL
4	6	V-39	O-RING, VITON, STD BODY, 1/4" & 3/8" VALVES
3	2	ECG3	GASKET - END CAP, 1/4" & 3/8" VALVE
2	8	V-38	SCREW, 10-24 X 3/4, SOCKET HEAD CAP
1	1	V-548	O-RING, BUNA-N, 70 DURO, 6MM X 1MM, NAMUR PLUG

LIMITS ON DIMENSIONS UNLESS OTHERWISE SPECIFIED		2-PL DECIMAL ± .01 3-PL DECIMAL ± .005 FRACTIONAL ± 1/64 ANGULAR ± 1/2°		AAA PRODUCTS INTERNATIONAL 7114 Harry Hines Blvd Dallas, TX 75235	
DRAWN: RMckenna		DATE: 10/17/2014			CHECKED: KWaite
SCALE: 1 : 1		SHEET: 1 OF 1		RELEASED: HWomack	DATE: 3/25/2015
TITLE: 1/4" NAMUR, CAM, 2 POS, FRICTION POS, CAM RTRN				PART NO.: NCC2	REV.:



4 | 3 | 2

THE INFORMATION CONTAINED WITHIN THIS DOCUMENT IS PROPRIETARY TO AAA PRODUCTS AND MAY NOT BE DISCLOSED WITHOUT PRIOR WRITTEN CONSENT

P:\Engineering\Product\Valve Assembly\Cam\CC2\NCC2.dwg