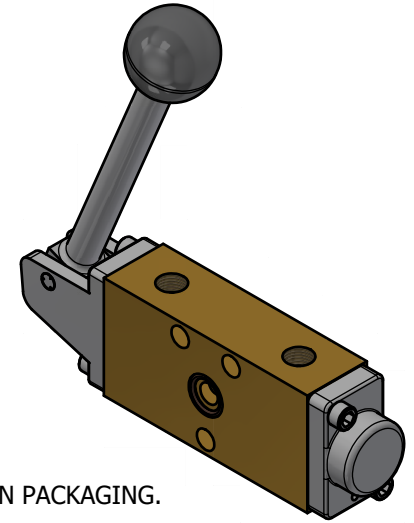
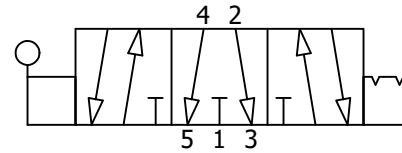


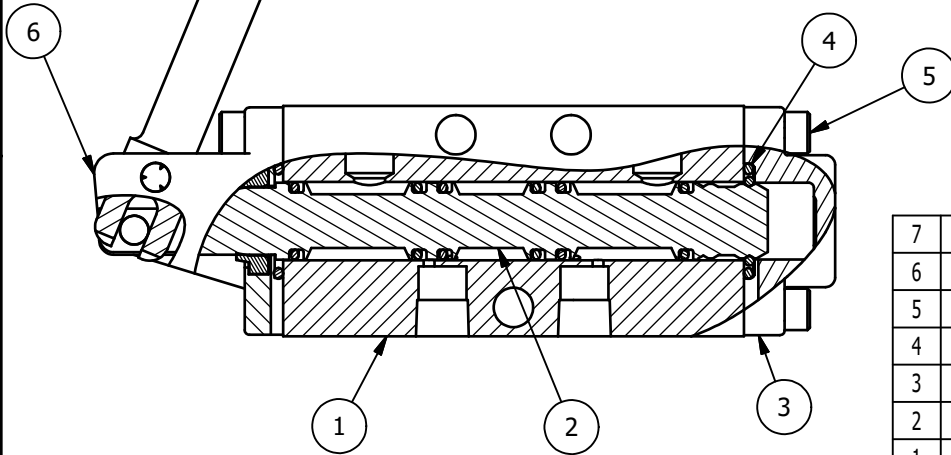
2



1



NOTES:  
1) INCLUDE ONE (1) V-410 O-RING IN PACKAGING.



VIEW FROM C'BORE SIDE  
SCALE 1 : 1.25

7	1	V-410	O-RING, VITON, 75 DURO, AS-012, (REF 3/8 X 1/2 X 1/16), 1/8" VALVE
6	1	AY-HE1-1	HE1-1 HANDLE ASSEMBLY, 70.95030, 1/8" VALVE
5	4	V-416	SCREW, 8-32 X 1/2, SOCKET HEAD CAP, 18-8 SS
4	2	V-411	O-RING, VITON, 75 DURO, AS-016, (REF 5/8 X 3/4 X 1/16), 1/8" VALVE, NAMUR MNT
3	1	PEC1-1	END CAP, STANDARD, 1/8" VALVE
2	1	AY-S-1Q	HALIBURTON - 2 POS. DETENT 1/8" VALVE SPOOL ASSEMBLY
1	1	H-VB	SV - BODY, 1/8" VALVE
FLG	QTY	PART NO	DESCRIPTION

LIMITS ON DIMENSIONS  
UNLESS  
OTHERWISE SPECIFIED

2-PL DECIMAL  $\pm .01$   
3-PL DECIMAL  $\pm .005$   
FRACTIONAL  $\pm 1/64$   
ANGULAR  $\pm 1/2^\circ$



**AAA PRODUCTS  
INTERNATIONAL**  
7114 Harry Hines Blvd  
Dallas, TX 75235

DRAWN: RMckenna

DATE: 10/22/2009

CHECKED: KWaitte

DATE: 3/28/2012

SCALE: 1 : 1.25

SHEET: 1 OF 1

RELEASED: HWomack

DATE: 3/28/2012

TITLE:

HAND - 2 POS. DETENT, LFT,  
1/8" VALVE

PART NO.:

HD1MQ

REV.:

2



1

THE INFORMATION CONTAINED WITHIN THIS DOCUMENT IS PROPRIETARY TO AAA PRODUCTS AND MAY NOT BE DISCLOSED WITHOUT PRIOR WRITTEN CONSENT