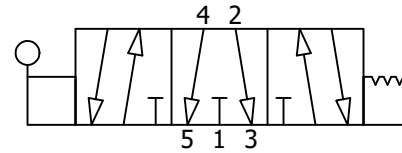
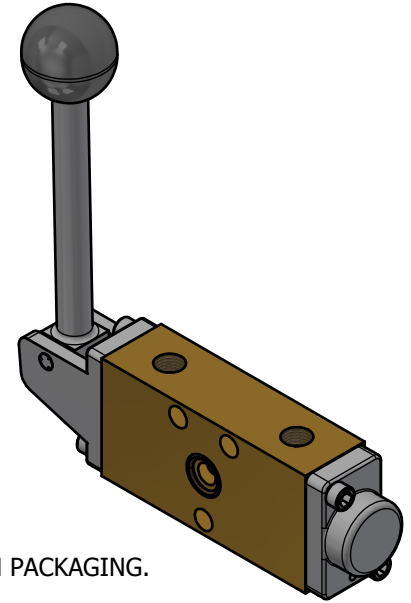


2

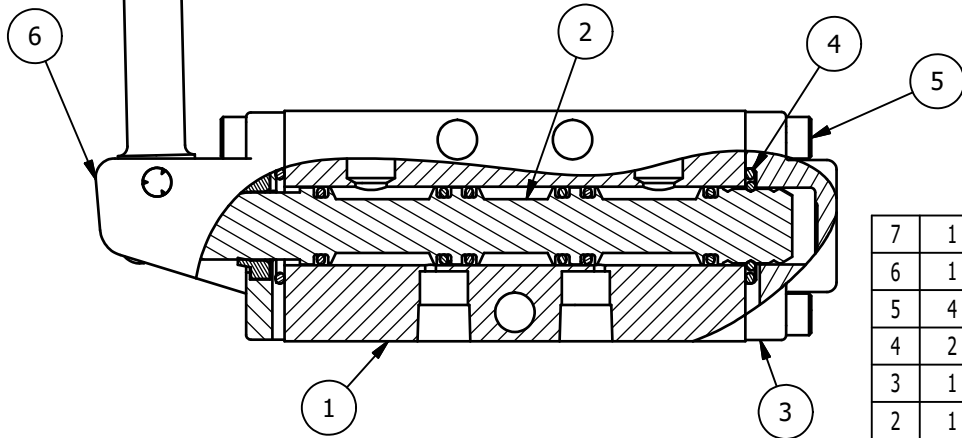


1



NOTES:

1) INCLUDE ONE (1) V-410 O-RING IN PACKAGING.



VIEW FROM C'BORE SIDE
SCALE 1 : 1.25

7	1	V-410	O-RING, VITON, 75 DURO, AS-012, (REF 3/8 X 1/2 X 1/16), 1/8" VALVE
6	1	AY-HE1-1	HE1-1 HANDLE ASSEMBLY, 70.95030, 1/8" VALVE
5	4	V-416	SCREW, 8-32 X 1/2, SOCKET HEAD CAP, 18-8 SS
4	2	V-411	O-RING, VITON, 75 DURO, AS-016, (REF 5/8 X 3/4 X 1/16), 1/8" VALVE, NAMUR MNT
3	1	PEC1-1	END CAP, STANDARD, 1/8" VALVE
2	1	AY-S-1	HALIBURTON - 1/8" VALVE SPOOL ASSEMBLY
1	1	H-VB	SV - BODY, 1/8" VALVE
FLG	QTY	PART NO	DESCRIPTION

LIMITS ON DIMENSIONS
UNLESS
OTHERWISE SPECIFIED

2-PL DECIMAL $\pm .01$
3-PL DECIMAL $\pm .005$
FRACTIONAL $\pm 1/64$
ANGULAR $\pm 1/2'$



**AAA PRODUCTS
INTERNATIONAL**
7114 Harry Hines Blvd
Dallas, TX 75235

DRAWN: RMcKenna

DATE: 10/13/1995

CHECKED: KWaitte

DATE: 3/28/2012

SCALE: 1 : 1.25

SHEET: 1 OF 1

RELEASED: HWomack

DATE: 3/28/2012

TITLE:

HAND - 3 POS. DETENT, LFT,
1/8" VALVE

PART NO.:

HD1M

REV.:

2



1

THE INFORMATION CONTAINED WITHIN THIS DOCUMENT IS PROPRIETARY TO AAA PRODUCTS AND MAY NOT BE DISCLOSED
WITHOUT PRIOR WRITTEN CONSENT