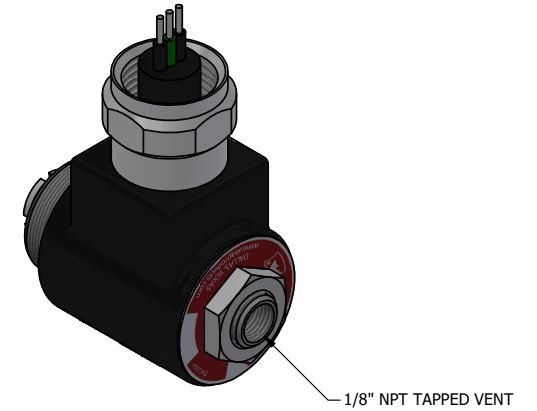
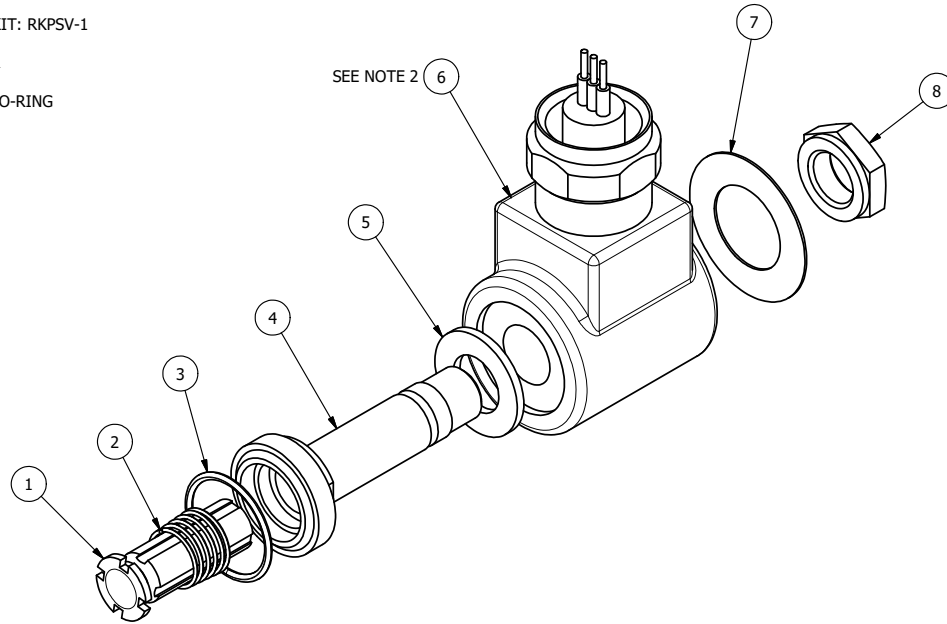


SOLENOID REPAIR KIT: RKPSV-1  
CONTAINS -  
1 V-187 PLUNGER  
1 V-50 SPRING  
1 V-61 ADAPTOR O-RING



NOTES:  
1) WHEN ORDERING, SPECIFY VOLTAGE AND CYCLES OF COIL.  
2) THE FOLLOWING PART NUMBER IS AFFECTED BY COIL VOLTAGE:

COIL VOLTAGE	COIL NUMBER	RESISTANCE	AAA PART
12 VDC	V-67M-5	12.8 OHMS	AY-38MT-5
24 VDC	V-67M-8	61 OHMS	AY-38MT-8
120/60 VAC	V-67M-11	135 OHMS	AY-38MT-11
240/60 VAC	V-67M-17	546 OHMS	AY-38MT-17

8	1	V-537	NUT - DIN COIL, "CLASSIC" SOLENOID
7	1	V-576	NAMEPLATE, FOR SNAP-TITE DIN & MOLDOVER COILS CALLING OUT NEMA 4 & NEMA 4X.
6	1	V-67M-11	COIL NEMA 4 MOLD OVER 120/60VAC
5	1	V-531	WASHER - MOLDOVER COILS, 302/304 STAINLESS, ALL VALVES
4	1	V-98	SLEEVE - TAPPED EXHAUST, "CLASSIC" SOLENOID
3	1	V-61	O-RING, BUNA-N, 70 DURO, AS-019, (REF 13/16 X 15/16 X 1/16), CLASSIC STEM
2	1	V-50	SPRING - SOLENOID, "CLASSIC" SOLENOIDS
1	1	V-187	SOLENOID STANDARD PLUNGER WITH BUNA-N SEAT ( # 156-014-001-00 )
FLG	QTY	PART NO	DESCRIPTION

LIMITS ON DIMENSIONS UNLESS OTHERWISE SPECIFIED	2-PL DECIMAL ± .01 3-PL DECIMAL ± .005 FRACTIONAL ± 1/64 ANGULAR ± 1/2°	<b>AAA PRODUCTS INTERNATIONAL</b> 7114 Harry Hines Blvd Dallas, TX 75235	
DRAWN: RMckenna	DATE: 8/17/2017		CHECKED: KWaite
SCALE: 1 : 1	SHEET: 1 OF 1	RELEASED: HWomack	DATE: 8/17/2017
TITLE: <b>CLASSIC SOL - 1/2" NPT CONDUIT, TAPPED EXHAUST, (MUST SPECIFY VOLTAGE)</b>		PART NO.: <b>AY-38MT</b>	REV.:

THE INFORMATION CONTAINED WITHIN THIS DOCUMENT IS PROPRIETARY TO AAA PRODUCTS AND MAY NOT BE DISCLOSED WITHOUT PRIOR WRITTEN CONSENT

D:\Engineering\product\Valves\Assembly\Sub-assy\AY-38MT.dwg