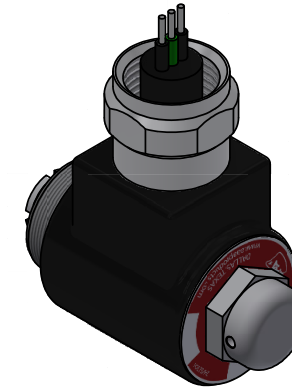
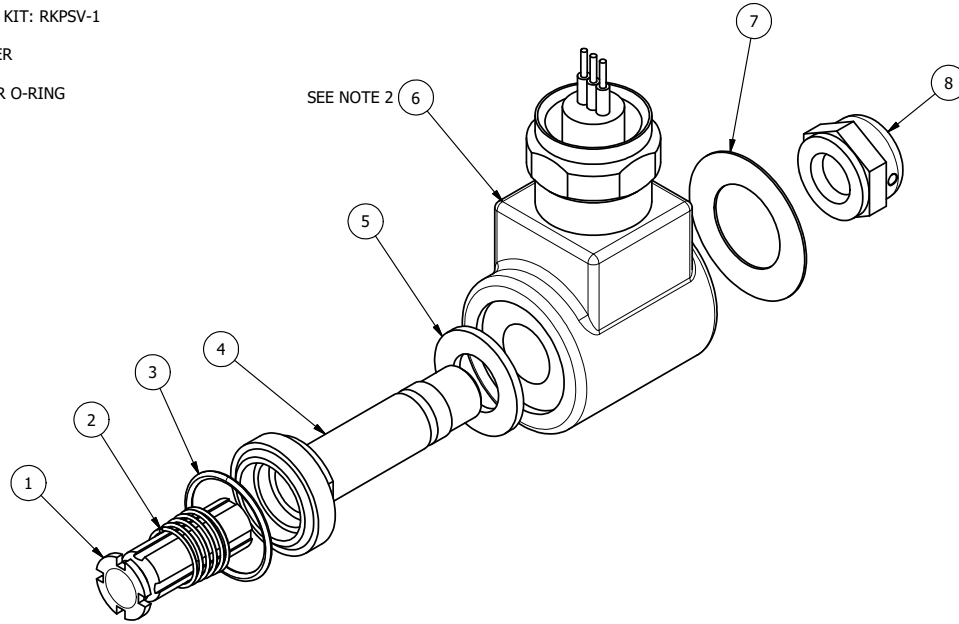



SOLENOID REPAIR KIT: RKPSV-1  
CONTAINS -  
1 V-187 PLUNGER  
1 V-50 SPRING  
1 V-61 ADAPTOR O-RING



NOTES:  
1) WHEN ORDERING, SPECIFY VOLTAGE AND CYCLES OF COIL.  
2) THE FOLLOWING PART NUMBER IS AFFECTED BY COIL VOLTAGE:

COIL VOLTAGE	COIL NUMBER	RESISTANCE	AAA PART
12 VDC	V-67M-5	12.8 OHMS	AY-38ML-5
24 VDC	V-67M-8	61 OHMS	AY-38ML-8
120/60 VAC	V-67M-11	135 OHMS	AY-38ML-11
240/60 VAC	V-67M-17	546 OHMS	AY-38ML-17

FLG	QTY	PART NO	DESCRIPTION
8	1	FM-1	ASSY, NUT ACORN, SOLENOID DUST EXCLUDER, (COMPLETE)
5	1	V-531	WASHER - MOLDOVER COILS, 302/304 STAINLESS, ALL VALVES
3	1	V-61	O-RING, BUNA-N, 70 DURO, AS-019, (REF 13/16 X 15/16 X 1/16), CLASSIC STEM
1	1	V-187	SOLENOID STANDARD PLUNGER WITH BUNA-N SEAT ( # 156-014-001-00 )
4	1	V-62	SOLENOID SLEEVE, 10-32 UNF VENT
7	1	V-576	NAMEPLATE FOR SNAP-TITE DIN & MOLDOVER COILS CALLING OUT NEMA 4 & NEMA 4X.
6	1	V-67M-11	COIL NEMA 4 MOLD OVER 120/60VAC

LIMITS ON DIMENSIONS UNLESS OTHERWISE SPECIFIED		2-PL DECIMAL ± .01 3-PL DECIMAL ± .005 FRACTIONAL ± 1/64 ANGULAR ± 1/2°		 <b>AAA PRODUCTS INTERNATIONAL</b> 7114 Harry Hines Blvd Dallas, TX 75235
DRAWN: RMckenna	DATE: 2/15/2016	CHECKED: KWaite	DATE: 2/15/2016	
SCALE: 1 : 1	SHEET: 1 OF 1	RELEASED: HWomack	DATE: 2/15/2016	
TITLE: <b>CLASSIC SOLENOID - 1/2" NPT CONDUIT, DUST EXCLDR (MUST SPECIFY VOLTAGE)</b>			PART NO.: <b>AY-38ML</b>	REV.: 

THE INFORMATION CONTAINED WITHIN THIS DOCUMENT IS PROPRIETARY TO AAA PRODUCTS AND MAY NOT BE DISCLOSED WITHOUT PRIOR WRITTEN CONSENT

D:\Engineering\product\Valves\Assembly\Sub-assy\AY-38ML.dwg