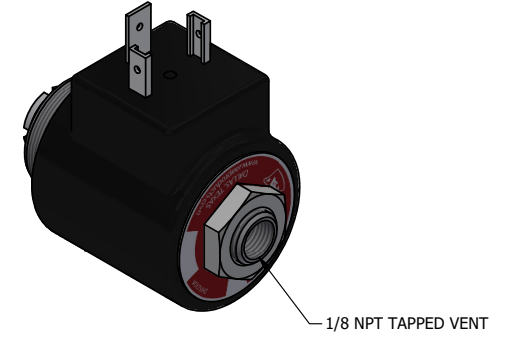
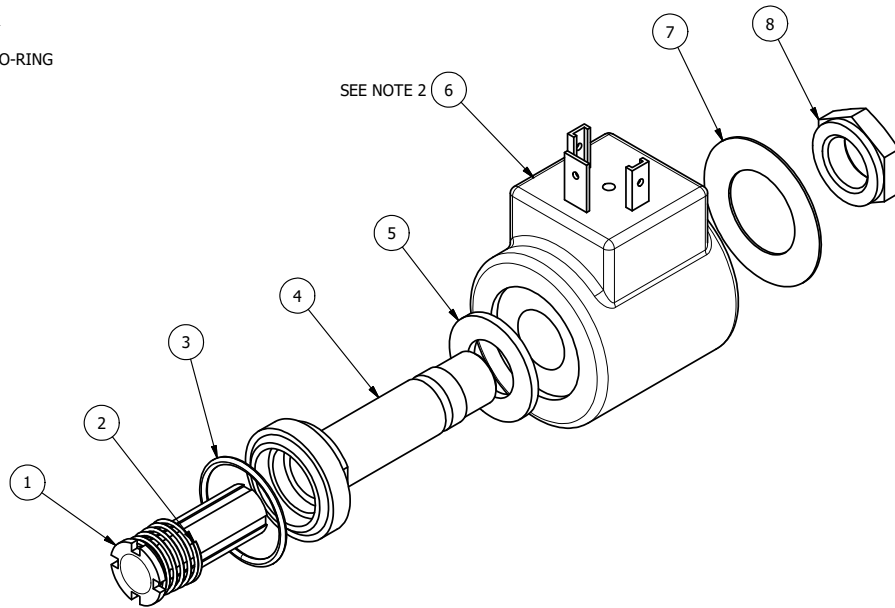


SOLENOID REPAIR KIT: RKPSV-1
CONTAINS -
1 V-187 PLUNGER
1 V-50 SPRING
1 V-61 ADAPTOR O-RING



NOTES:
1) WHEN ORDERING, SPECIFY VOLTAGE AND CYCLES OF COIL.
2) THE FOLLOWING PART NUMBER IS AFFECTED BY COIL VOLTAGE:

COIL VOLTAGE	COIL NUMBER	RESISTANCE	AAA PART
12 VDC	V-67ED-5	12.8 OHMS	AY-38EDT-5
24 VDC	V-67ED-8	61 OHMS	AY-38EDT-8
120/60 VAC	V-67ED-11	135 OHMS	AY-38EDT-11
240/60 VAC	V-67ED-17	546 OHMS	AY-38EDT-17

8	1	V-537	NUT - DIN COIL, "CLASSIC" SOLENOID
7	1	V-576	NAMEPLATE, FOR SNAP-TITE DIN & MOLDOVER COILS CALLING OUT NEMA 4 & NEMA 4X.
6	1	V-67ED-11	COIL DIN 120/60VAC, 38.5VDC - SNAP TITE # 114-070-003-06.
5	1	V-531	WASHER - MOLDOVER COILS, 302/304 STAINLESS, ALL VALVES
4	1	V-98	SLEEVE - TAPPED EXHAUST, "CLASSIC" SOLENOID
3	1	V-61	O-RING, BUNA-N, 70 DURO, AS-019, (REF 13/16 X 15/16 X 1/16), CLASSIC STEM
2	1	V-50	SPRING - SOLENOID, "CLASSIC" SOLENOIDS
1	1	V-187	SOLENOID STANDARD PLUNGER WITH BUNA-N SEAT (# 156-014-001-00)
FLG	QTY	PART NO	DESCRIPTION

LIMITS ON DIMENSIONS
UNLESS
OTHERWISE SPECIFIED

2-PL DECIMAL ± .01
3-PL DECIMAL ± .005
FRACTIONAL ± 1/64
ANGULAR ± 1/2°

AAA
PRODUCTS
INTERNATIONAL
7114 Harry Hines Blvd
Dallas, TX 75235

DRAWN: RMckenna DATE: 12/13/2015 CHECKED: KWaite DATE: 12/13/2015
SCALE: 1:1 SHEET: 1 OF 1 RELEASED: HWomack DATE: 12/13/2015

TITLE: CLASSIC SOLENOID - ISO 4400 DIN, 1/8" NPTF SOL EXHST, (SPECIFY VOLTAGE)
PART NO.: AY-38EDT
REV.:

THE INFORMATION CONTAINED WITHIN THIS DOCUMENT IS PROPRIETARY TO AAA PRODUCTS AND MAY NOT BE DISCLOSED WITHOUT PRIOR WRITTEN CONSENT

P:\Engineering\product\Valves\Assembly\Sub-assy\240VAC\AY-38EDT.dwg