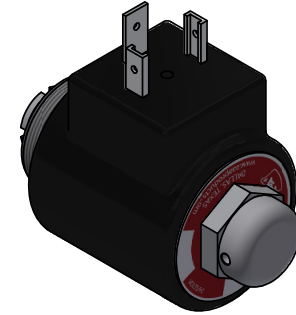
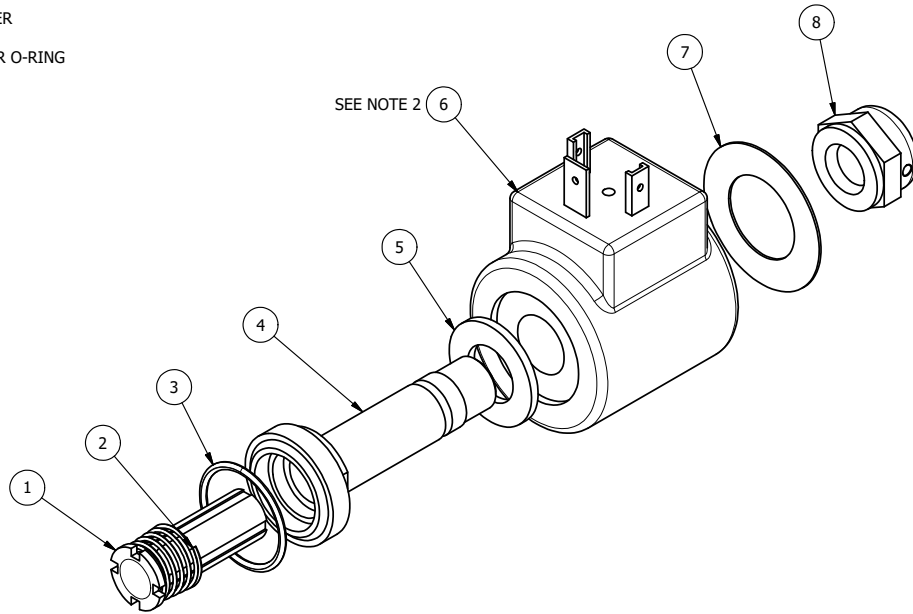



SOLENOID REPAIR KIT: RKPSV-1
CONTAINS -
1 V-187 PLUNGER
1 V-50 SPRING
1 V-61 ADAPTOR O-RING



NOTES:
1) WHEN ORDERING, SPECIFY VOLTAGE AND CYCLES OF COIL.
2) THE FOLLOWING PART NUMBER IS AFFECTED BY COIL VOLTAGE:

| COIL VOLTAGE | COIL NUMBER | RESISTANCE | AAA PART |
|--------------|-------------|------------|-------------|
| 12 VDC | V-67ED-5 | 12.8 OHMS | AY-38EDL-5 |
| 24 VDC | V-67ED-8 | 61 OHMS | AY-38EDL-8 |
| 120/60 VAC | V-67ED-11 | 135 OHMS | AY-38EDL-11 |
| 240/60 VAC | V-67ED-17 | 546 OHMS | AY-38EDL-17 |

| | | | |
|-----|-----|-----------|---|
| 8 | 1 | FM-1 | ASSY, NUT ACORN, SOLENOID DUST EXCLUDER, (COMPLETE) |
| 7 | 1 | V-576 | NAMEPLATE, FOR SNAP-TITE DIN & MOLDOVER COILS CALLING OUT NEMA 4 & NEMA 4X. |
| 6 | 1 | V-67ED-11 | COIL DIN 120/60VAC, 38.5VDC - SNAP TITE # 114-070-003-06. |
| 5 | 1 | V-531 | WASHER - MOLDOVER COILS, 302/304 STAINLESS, ALL VALVES |
| 4 | 1 | V-62 | SOLENOID SLEEVE, 1/16 ORIFICE, 10-32 UNF VENT |
| 3 | 1 | V-61 | O-RING, BUNA-N, 70 DURO, AS-019, (REF 13/16 X 15/16 X 1/16), CLASSIC STEM |
| 2 | 1 | V-50 | SPRING - SOLENOID, "CLASSIC" SOLENOIDS |
| 1 | 1 | V-187 | SOLENOID STANDARD PLUNGER WITH BUNA-N SEAT (# 156-014-001-00) |
| FLG | QTY | PART NO | DESCRIPTION |

| | | | |
|--|--|--|-----------------|
| LIMITS ON DIMENSIONS UNLESS OTHERWISE SPECIFIED | 2-PL DECIMAL ± .01 3-PL DECIMAL ± .005 FRACTIONAL ± 1/64 ANGULAR ± 1/2° |  AAA PRODUCTS INTERNATIONAL 7114 Harry Hines Blvd Dallas, TX 75235 | |
| DRAWN: RMckenna | DATE: 8/18/2017 | | CHECKED: KWaite |
| SCALE: 1 : 1 | SHEET: 1 OF 1 | RELEASED: HWomack | DATE: 8/18/2017 |
| TITLE: CLASSIC SOLENOID - ISO 4400 DIN, DUST EXCLUDER NUT, (SPECIFY VOLTAGE) | | PART NO.: AY-38EDL | REV.: |

THE INFORMATION CONTAINED WITHIN THIS DOCUMENT IS PROPRIETARY TO AAA PRODUCTS AND MAY NOT BE DISCLOSED WITHOUT PRIOR WRITTEN CONSENT

P:\Engineering\product\Valves\Assembly\Sub-assy\240V\AY-38EDL.dwg