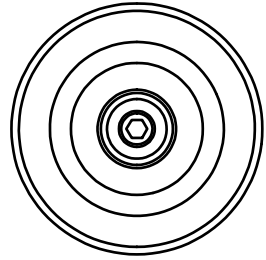
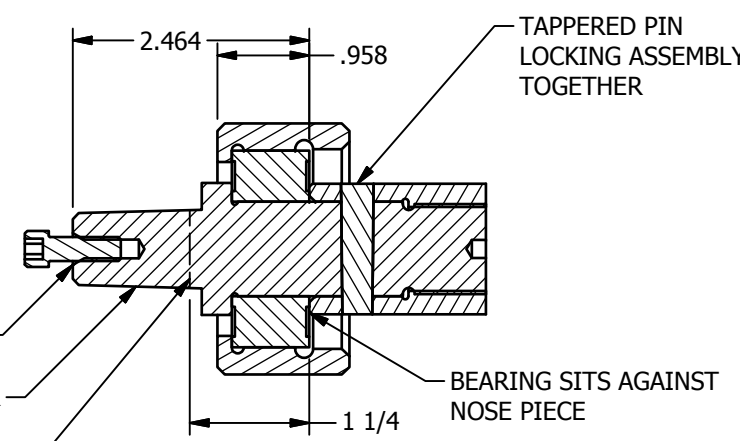
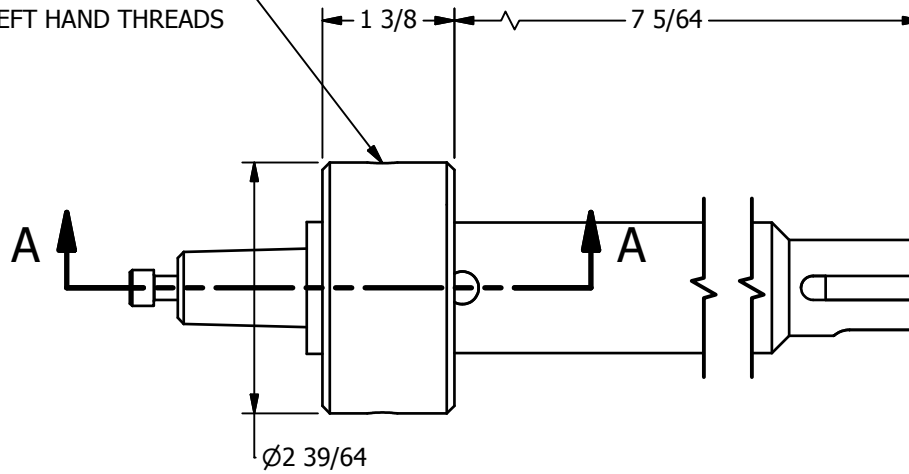


2

1



BEARING RETAINER HAS
LEFT HAND THREADS



THEORETICAL LINE FOR
#3 JACOBS TAPER
 $\varnothing .811$ AT THIS POINT

SECTION A-A
SCALE 1/2



**AAA PRODUCTS
INTERNATIONAL**
7114 Harry Hines Blvd
Dallas, TX 75235

TITLE: **DRIVE SHAFT & SPINDLE ASSEMBLY,
#3 JACOBS,
JIFFY SPINDLE**

DRAWING NO.:
DIM_3SJ3

2



THE INFORMATION CONTAINED WITHIN THIS DOCUMENT IS PROPRIETARY TO AAA PRODUCTS AND MAY NOT BE DISCLOSED WITHOUT PRIOR WRITTEN CONSENT

1