

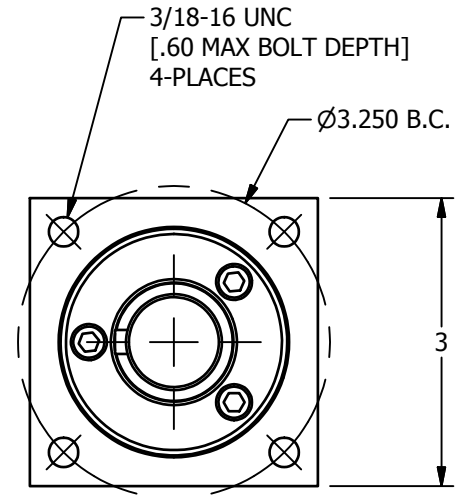
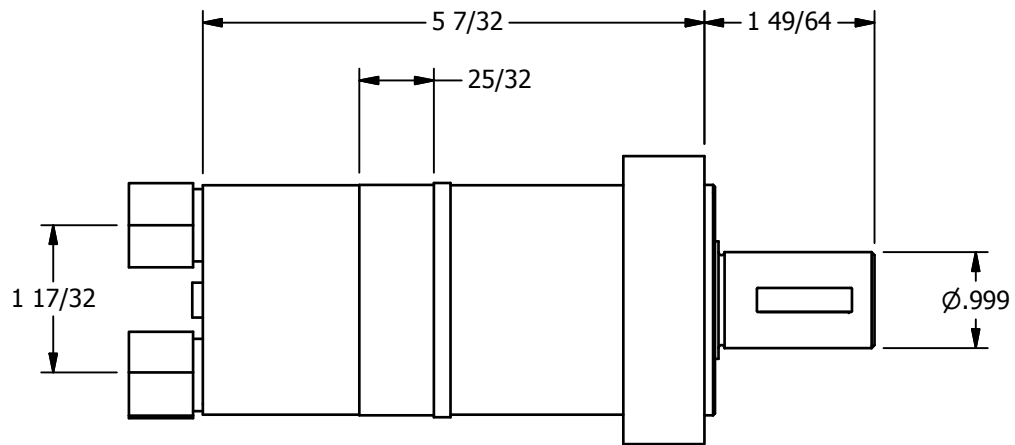
2

1

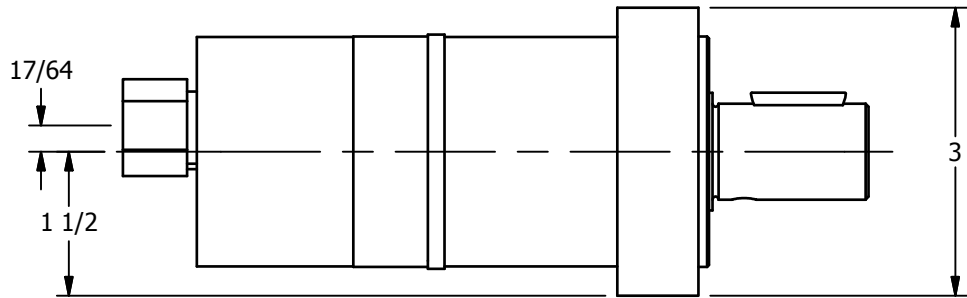
PORT A

PORT B

1/2-14 NPTF PORTS  
2-PLACES



PRESSURIZING PORT B WILL ROTATE THE  
SHAFT COUNTER-CLOCKWISE.  
(PRESSURIZE PORT A FOR CLOCKWISE)



**AAA PRODUCTS  
INTERNATIONAL**  
7114 Harry Hines Blvd  
Dallas, TX 75235

TITLE: M-SERIES MOTOR ASSEMBLY,  
1.21 CU. IN. PER REV.,  
JIFFY TAP & DRILL

DRAWING NO.:  
DIM\_M-2

2

1

THE INFORMATION CONTAINED WITHIN THIS DOCUMENT IS PROPRIETARY TO AAA PRODUCTS AND MAY NOT BE DISCLOSED WITHOUT PRIOR WRITTEN CONSENT