

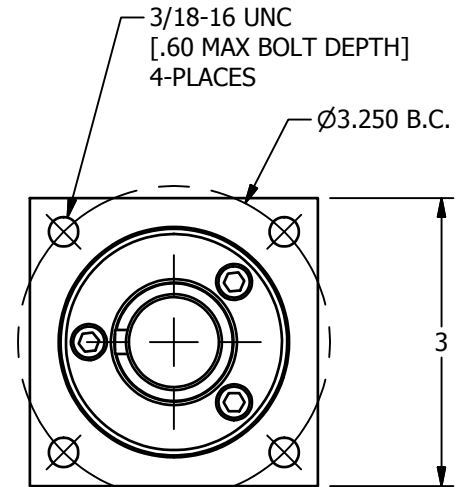
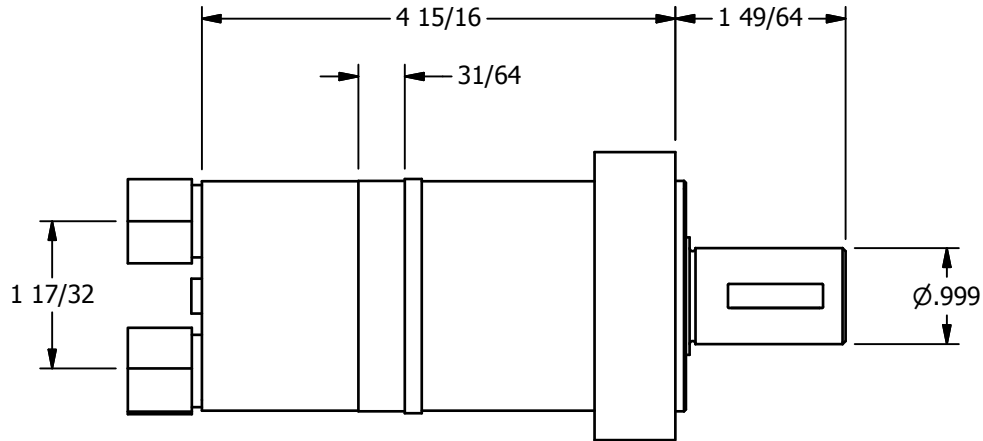
2

1

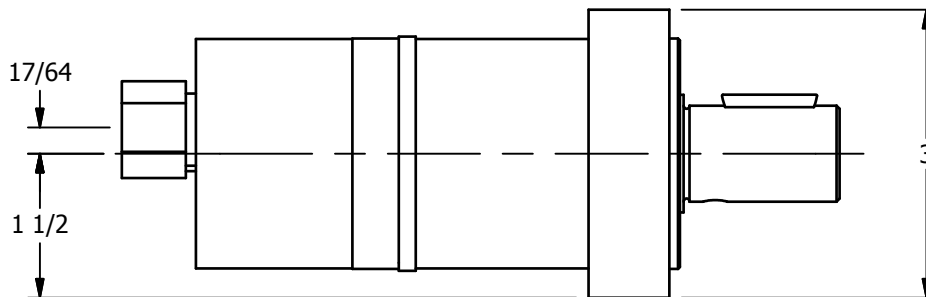
PORT A

PORT B

1/2-14 NPTF PORTS
2-PLACES



PRESSURIZING PORT B WILL ROTATE THE
SHAFT COUNTER-CLOCKWISE.
(PRESSURIZE PORT A FOR CLOCKWISE)



**AAA PRODUCTS
INTERNATIONAL**
7114 Harry Hines Blvd
Dallas, TX 75235

TITLE: M-SERIES MOTOR ASSEMBLY,
0.79 CU. IN. PER REV.,
JIFFY TAP & DRILL

DRAWING NO.:
DIM_M-1

2

4