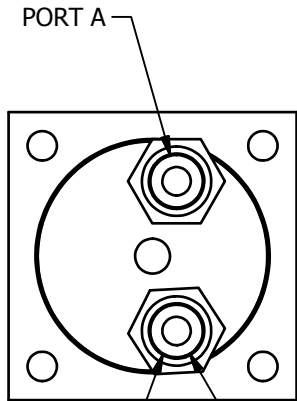
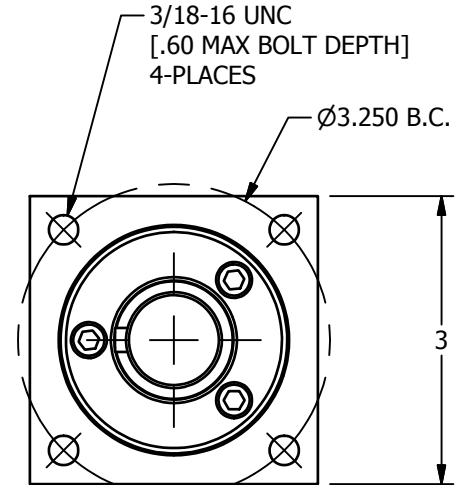
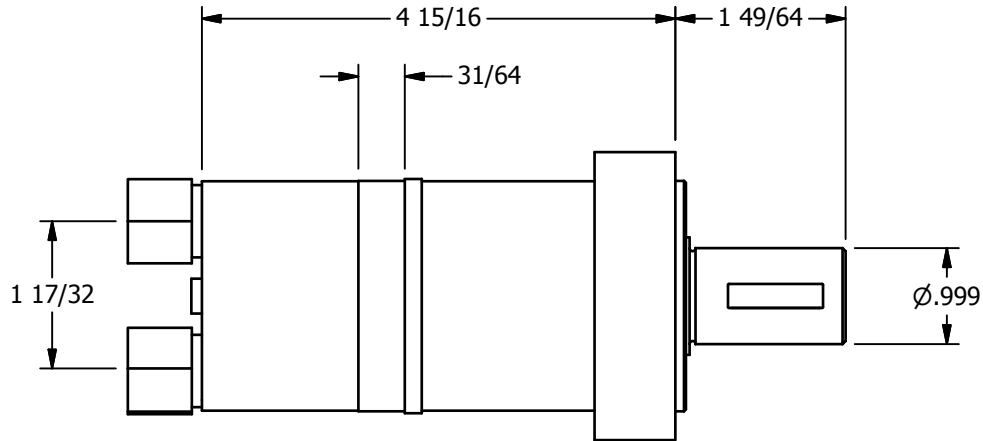


2

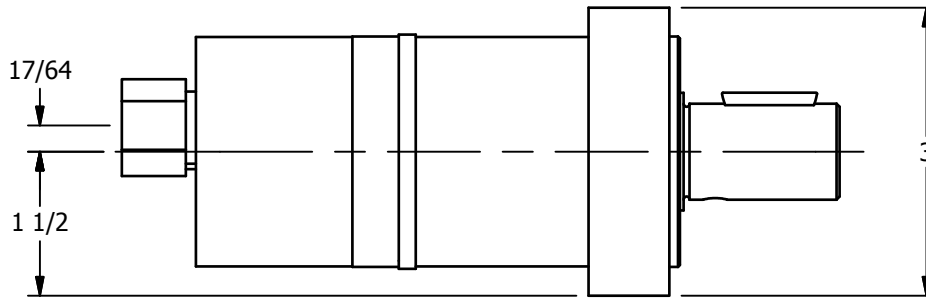
1



PORT A  
 PORT B  
 1/2-14 NPTF PORTS  
 2-PLACES



PRESSURIZING PORT B WILL ROTATE THE  
 SHAFT COUNTER-CLOCKWISE.  
 (PRESSURIZE PORT A FOR CLOCKWISE)



**AAA PRODUCTS  
 INTERNATIONAL**  
 7114 Harry Hines Blvd  
 Dallas, TX 75235

TITLE: M-SERIES MOTOR ASSEMBLY,  
 0.50 CU. IN. PER REV.,  
 JIFFY TAP & DRILL

DRAWING NO.:  
 DIM\_M-0

2

4

1