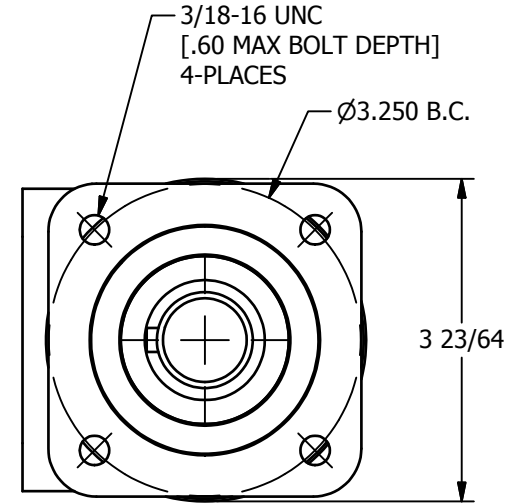
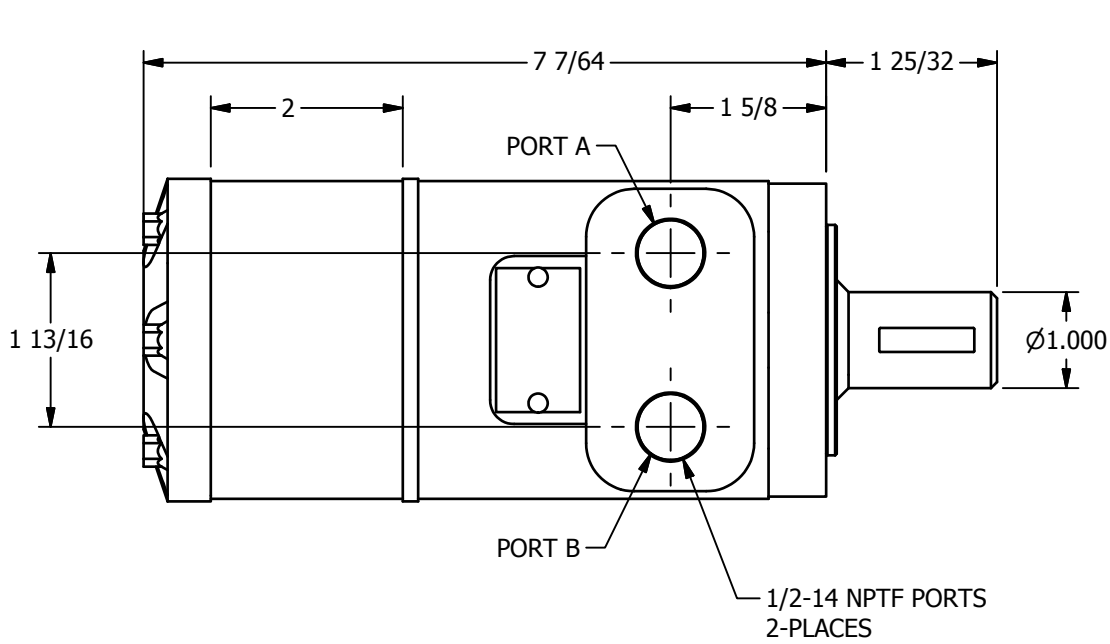
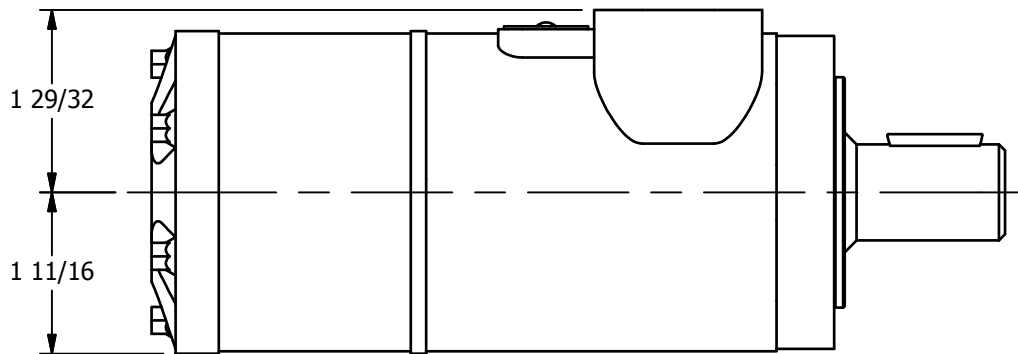


2

1



PRESSURIZING PORT B WILL ROTATE THE
SHAFT COUNTER-CLOCKWISE.
(PRESSURIZE PORT A FOR CLOCKWISE)



**AAA PRODUCTS
INTERNATIONAL**
7114 Harry Hines Blvd
Dallas, TX 75235

TITLE: B-SERIES MOTOR ASSEMBLY,
22.6 CU. IN. PER REV.,
JIFFY TAP & DRILL

DRAWING NO.:
DIM_B-8

2

4

1