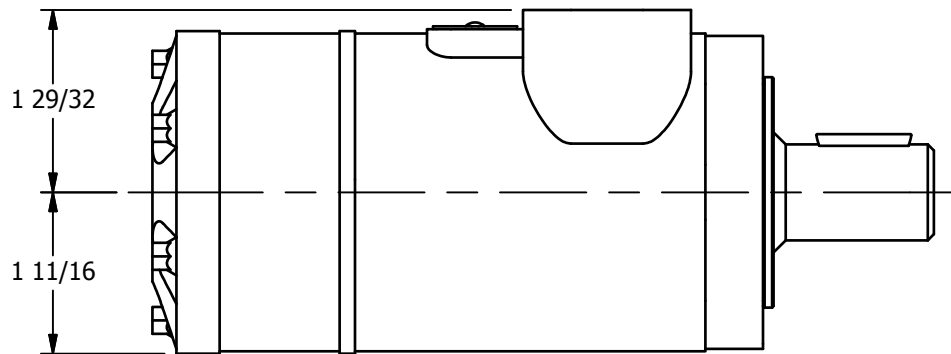


PRESSURIZING PORT B WILL ROTATE THE
 SHAFT COUNTER-CLOCKWISE.
 (PRESSURIZE PORT A FOR CLOCKWISE)



**AAA PRODUCTS
 INTERNATIONAL**
 7114 Harry Hines Blvd
 Dallas, TX 75235

TITLE: B-SERIES MOTOR ASSEMBLY,
 14.1 CU. IN. PER REV.,
 JIFFY TAP & DRILL

DRAWING NO.:
 DIM_B-6