

4

3

2

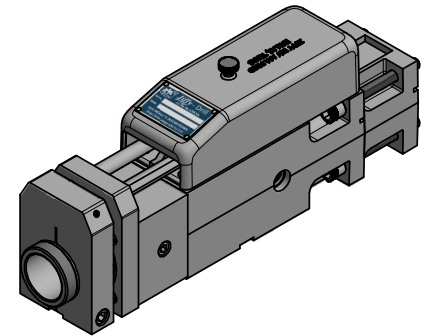
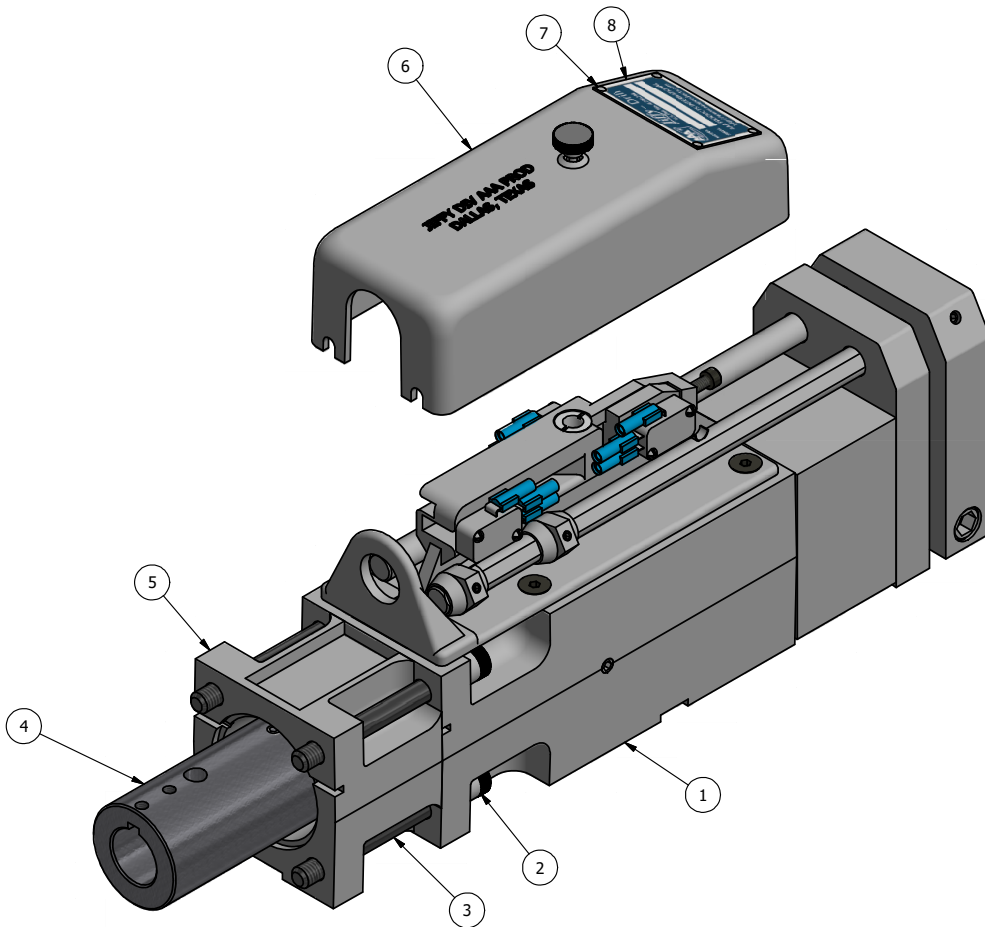
1

B

B


A

A



NOTES:  
1) SEE ASSEMBLIES FOR INDIVIDUAL PARTS.

FLG	QTY	PART NO	DESCRIPTION	
	8	1	J-320	DRILL NAMEPLATE
	7	4	V-212	SCREW, 2 X 3/16, DRIVE, TYPE U, OVAL HEAD, 316 SS
SEE NOTE 1	6	1	AY-4127	ASSEMBLY - COVER, JIFFY DRILL
	5	1	J-4118	ADAPTOR - HYDRAULIC MOTOR, JIFFY DRILL
SEE NOTE 1	4	1	AY-4100	ASSY - SPINDLE SLEEVE, W/SET SCREWS, JIFFY DRILL & EXT. TAP
	3	4	J-322	MOTOR STUD, JIFFY DRILL
	2	4	J-326	NUT, 3/8-16, ALLEN SOCKET HEAD
SEE NOTE 1	1	1	AY-4207	SWITCH PLATE INSTALLATION, JIFFY DRILL

LIMITS ON DIMENSIONS UNLESS OTHERWISE SPECIFIED		2-PL DECIMAL ± .01 3-PL DECIMAL ± .005 FRACTIONAL ± 1/64 ANGULAR ± 1/2°		 <b>AAA PRODUCTS INTERNATIONAL</b> 7114 Harry Hines Blvd Dallas, TX 75235
DRAWN: RMckenna	DATE: 6/17/2015	CHECKED: KWaite	DATE: 6/17/2015	
SCALE: 1/2	SHEET: 1 OF 1	RELEASED: HWomack	DATE: 6/17/2015	
TITLE: JIFFY DRILL MAIN SECTION, COMBINE WITH DRIVE & SPINDLE			DRAWING NO.: 3D	REV.:
DO NOT USE TO ORDER, ORDER BY PART NUMBERS LISTED IN TABLE				

4

3

2

1

A

D:\Engineering\Inventor Files\Internal Drawings\Jiffy Drill Assy\Web Only\3D.dwg