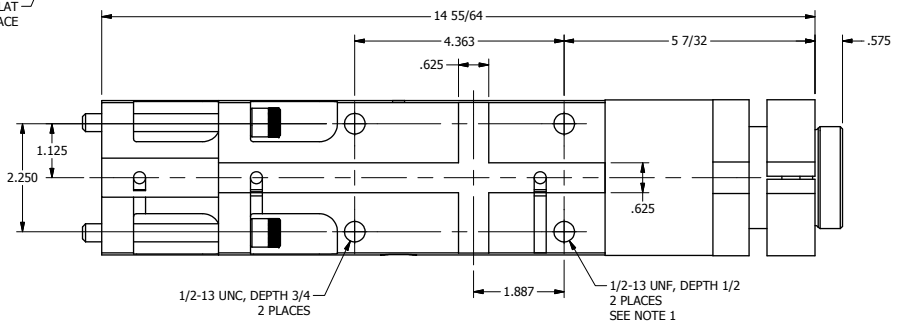
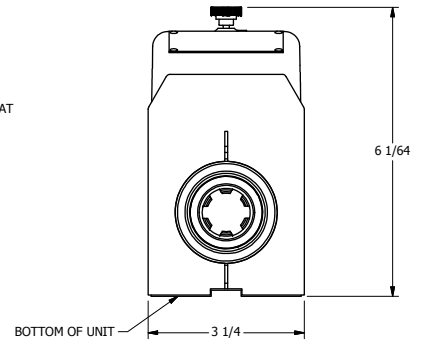
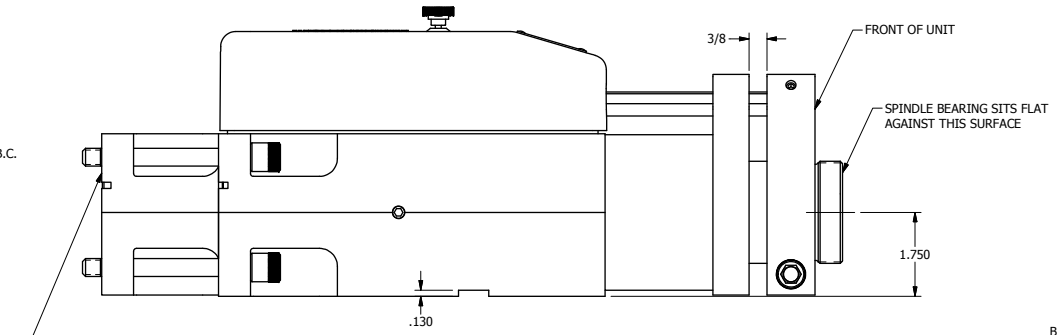


DRIVE UNIT SITS FLAT
AGAINST THIS SURFACE



NOTES:
1) MAXIMUM DEPTH OF THE TWO FRONT MOUNTING HOLES IS 1/2". BOLTS LONGER THAN THIS WILL DAMAGE THE INNER SEAL TUBE.



TITLE: MAIN DRILL UNIT SECTION,
USED W/SPINDLE & MOTOR SECTION

DRAWING NO.:
DIM_3D

THE INFORMATION CONTAINED WITHIN THIS DOCUMENT IS PROPRIETARY TO AAA PRODUCTS AND MAY NOT BE DISCLOSED WITHOUT PRIOR WRITTEN CONSENT